



**INSTRUMENTS**

**72-2102-07**  
**Beacon 200**  
**Operator's Manual**

*Part Number: 71-0364*

*Revision: C*

*Released: 6/29/20*

## **WARNING**

Read and understand this instruction manual before operating instrument. Improper use of the 72-2102-07 Beacon 200 could result in bodily harm or death.

Periodic calibration and maintenance of the 72-2102-07 Beacon 200 is essential for proper operation and correct readings. Please calibrate and maintain this 72-2102-07 Beacon 200 regularly! Frequency of calibration depends upon the type of use you have and the sensor types. Typical calibration frequencies for most applications are between 3 and 6 months, but can be required more often or less often based on your usage.

---

## Product Warranty

RKI Instruments, Inc. warrants gas alarm equipment sold by us to be free from defects in materials, workmanship, and performance for a period of one year from date of shipment from RKI Instruments, Inc. Any parts found defective within that period will be repaired or replaced, at our option, free of charge. This warranty does not apply to those items, which by their nature, are subject to deterioration or consumption in normal service, and which must be cleaned, repaired, or replaced on a routine basis. Examples of such items are as follows:

- a) Absorbent cartridges
- b) Pump diaphragms and valves
- c) Fuses
- d) Batteries
- e) Filter elements

Warranty is voided by abuse including mechanical damage, alteration, rough handling, or repair procedures not in accordance with the operator's manual. This warranty indicates the full extent of our liability, and we are not responsible for removal or replacement costs, local repair costs, transportation costs, or contingent expenses incurred without our prior approval.

*THIS WARRANTY IS EXPRESSLY IN LIEU OF ANY AND ALL OTHER WARRANTIES AND REPRESENTATIONS, EXPRESSED OR IMPLIED, AND ALL OTHER OBLIGATIONS OR LIABILITIES ON THE PART OF RKI INSTRUMENTS, INC. INCLUDING BUT NOT LIMITED TO, THE WARRANTY OF MERCHANTABILITY OR FITNESS FOR A PARTICULAR PURPOSE. IN NO EVENT SHALL RKI INSTRUMENTS, INC. BE LIABLE FOR INDIRECT, INCIDENTAL, OR CONSEQUENTIAL LOSS OR DAMAGE OF ANY KIND CONNECTED WITH THE USE OF ITS PRODUCTS OR FAILURE OF ITS PRODUCTS TO FUNCTION OR OPERATE PROPERLY.*

This warranty covers instruments and parts sold to users by authorized distributors, dealers, and representatives as appointed by RKI Instruments, Inc.

We do not assume indemnification for any accident or damage caused by the operation of this gas monitor, and our warranty is limited to the replacement of parts or our complete goods.

---

## Table of Contents

<b>Chapter 1: Introduction</b> .....	<b>6</b>
Overview .....	6
About the Beacon 200 Gas Monitor .....	6
About this Manual .....	7
Specifications .....	8
<b>Chapter 2: Description</b> .....	<b>9</b>
Overview .....	9
External Description .....	10
Internal Description .....	13
<b>Chapter 3: Installation and Start Up</b> .....	<b>18</b>
Overview .....	18
Mounting the Beacon 200 .....	18
Wiring the Beacon 200 .....	21
Starting Up the Beacon 200 .....	26
<b>Chapter 4: Operation</b> .....	<b>27</b>
Overview .....	27
Normal Operation .....	27
Recorder Output Operation .....	28
Alarm Indications .....	29
Viewing & Resetting Min/Max Readings .....	33
<b>Chapter 5: Channel Control and Setup Program</b> .....	<b>34</b>
Overview .....	34
Enable/Disable Channel(s) Menu .....	35
Configure Channel Settings Menu .....	36
View System Information Menu .....	38

<b>Chapter 6: Maintenance</b> .....	<b>39</b>
Overview.....	39
Calibration Program.....	39
Adjusting Strobe/Horn Volume.....	44
Replacing Components of the Beacon 200.....	46
Preventive Maintenance.....	48
Troubleshooting.....	49
Parts List.....	52

# Chapter 1: Introduction

---

## Overview

This chapter briefly describes the 72-2102-07 Beacon 200. This chapter also describes the *72-2102-07 Beacon 200 Operator's Manual* (this document). Table 1 at the end of this chapter lists the specifications for the 72-2102-07 Beacon 200.

---

## About the Beacon 200

The 72-2102-07 Beacon 200 is a fixed-mounted, continuous-monitoring gas detection instrument. This gas monitor is capable of detecting gas at two locations. It includes an 8 foot AC power cord and 2 H<sub>2</sub>S detector heads each on a user-defined length of cable.

The Beacon 200 displays the current gas readings on an LCD display which is visible through the window in the cover (front face) and provides a 4 - 20 mA signal which indicates the target gas reading for use by a recording device or programmable controller. Three sets of relay contacts, two controlled by the gas alarms and one by the fail alarm, rated for 10 amps at 115/220 VAC or 10 amps at 30 VDC are available for controlling devices such as lights or horns or for controlling higher rated relays. The alarm 1 relay is factory wired to the strobe/horn and is not available for field use.

Two instrument programs allow you to display and change channel and calibration settings. They are the Channel Control & Setup Program and the Calibration Program.

---

## About this Manual

The *Beacon 200 Gas Monitor Operator's Manual* uses the following conventions for notes, cautions, and warnings.

---

**NOTE:** Describes additional or critical information.

---

---

**CAUTION:** *Describes potential damage to equipment.*

---

---

**WARNING:** *Describes potential danger that can result in injury or death.*

---



Caution: refer to accompanying documentation

~ Vac (AC voltage)

== Vdc (DC voltage)

# Specifications

Table 1 lists specifications for the 72-2102-07 Beacon 200.

**Table 1: 72-2102-07 Beacon 200 Specifications**

Description	Specification
<b>Input Power</b>	115/220V ~ ±10%, 50/60Hz, 0.5/0.3A <sup>1</sup> <b>or</b> 24 V === +10% -8%, 0.6A
<b>Construction (housing)</b>	Fiberglass/polyester with lexan window (NEMA 4X)
<b>Controller Dimensions</b>	21.0 in. H x 8.5 in. W x 7.00 in. D (533 mm H x 216 mm W x 178 mm D)
<b>Weight</b>	20 lbs.
<b>Environmental Conditions</b>	<ul style="list-style-type: none"> <li>-20°C to 50°C (-4°F to 122°F) max. ambient</li> <li>Maximum humidity of 80% relative</li> </ul>
<b>Relays</b>	<ul style="list-style-type: none"> <li>Relay contacts rated for 10A @ 115/220V~ resistive or 10A @ 30V === resistive</li> <li>SPDT Form C</li> </ul>
<b>User Controls</b>	<ul style="list-style-type: none"> <li>Reset switch</li> <li>Program buttons: ESCAPE, UP/YES, DOWN/NO, and ENTER</li> </ul>
<b>Detection Range</b>	0 to 100 PPM (parts per million) H <sub>2</sub> S
<b>Alarm 1 Setpoint</b>	10 ppm <sup>2</sup>
<b>Alarm 2 Setpoint</b>	50 ppm <sup>2</sup>
<b>Response Time</b>	90% in 30 seconds
<b>Accuracy</b>	± 5% of reading or ± 2 ppm H <sub>2</sub> S (whichever is greater)
<p>* <sup>1</sup>The AC voltage input is factory set. The standard input is 115 V~.</p> <p>* <sup>2</sup>The alarm setpoints shown are factory settings but they can be changed in the Channel Control and Setup Program.</p>	

---

**WARNING:** *When using the Beacon 200, you must follow the instructions and warnings in this manual to assure proper and safe operation of the Beacon 200 and to minimize the risk of personal injury. Be sure to maintain and periodically calibrate the Beacon 200 as described in this manual.*

---



# Chapter 2: Description

## Overview

This chapter describes external and internal components of the Beacon 200.

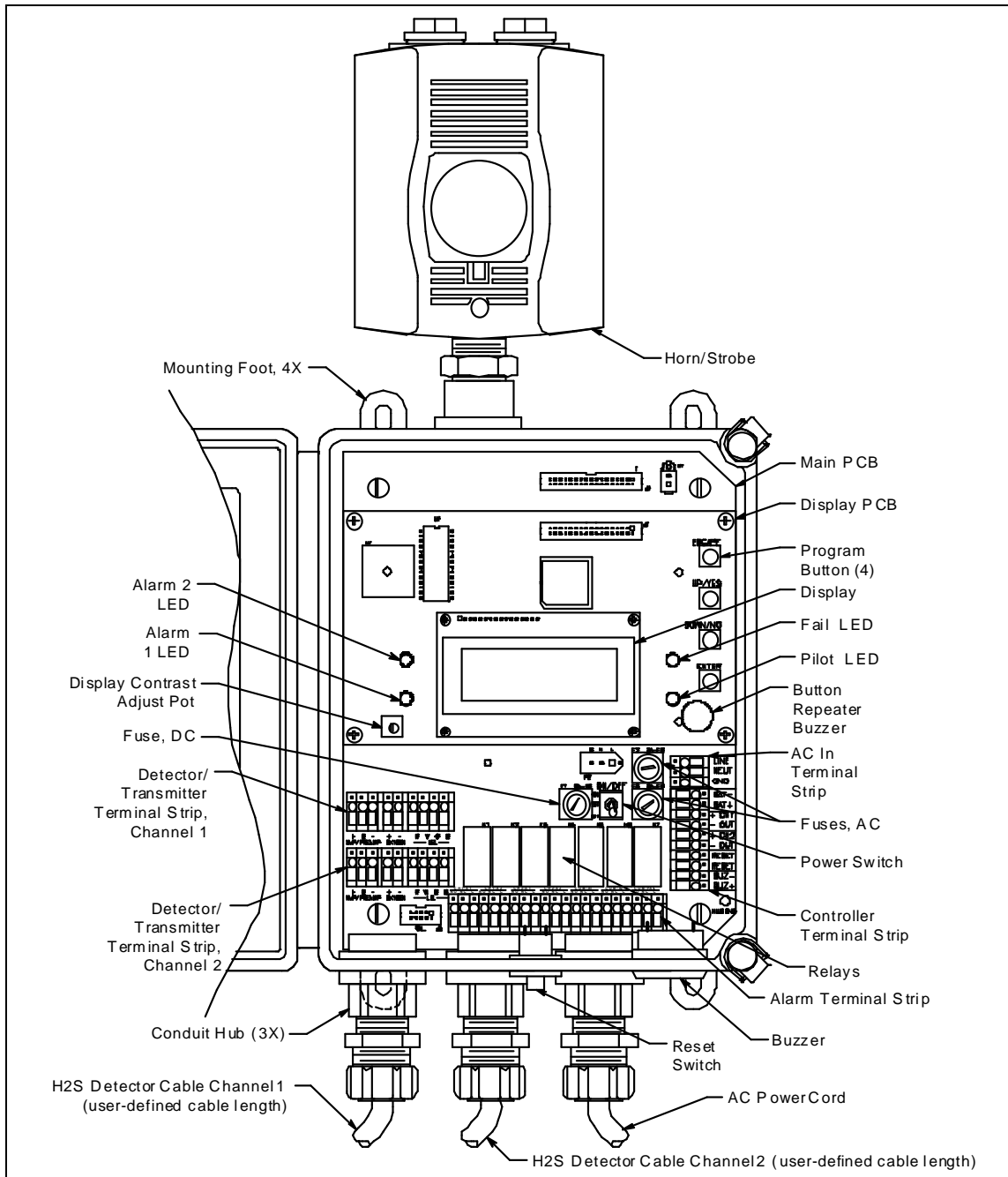


Figure 1. Beacon 200 Component Location

---

## External Description

This section describes the housing and all external components of the Beacon 200. For the purposes of this description, the housing door is considered the front of the monitor.

### Housing

The Beacon 200's fiberglass housing is weather- and corrosion-resistant. It is suitable for installation where general purpose equipment is in use. The housing door is hinged on the left side and is secured by two latches on the right side. The display screen and status lights are visible through windows in the housing door. Four mounting feet are attached to the back of the housing (one at each corner). The mounting feet allow you to install the housing to a vertical surface. Three conduit hubs on the bottom of the housing are for external wiring connections.

---

**CAUTION:** *Only use the three factory installed conduit hubs on the bottom of the housing for wire entry into the housing. Do not drill the housing for any reason.*

---

---

**CAUTION:** *To avoid electrical interference, do not route detector head and power wiring through the same conduit hub.*

---

### Reset Switch

The reset switch is on the bottom of the housing. It is in front of the conduit hubs. The reset switch serves three functions:

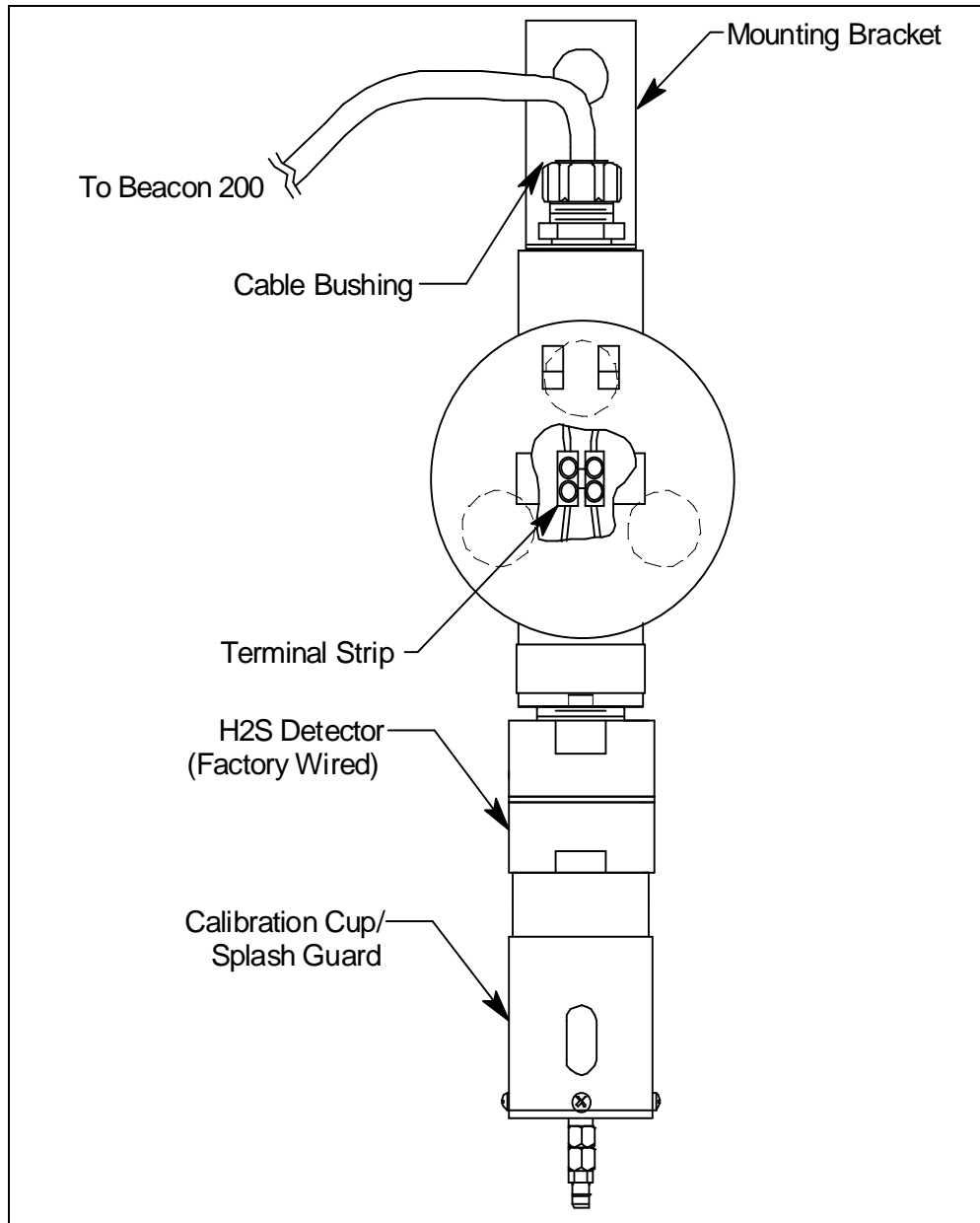
- Resets the alarm circuits for “latched” alarms after an alarm 1 or alarm 2 condition passes. You can set each channel for latched or self-resetting alarms in the Channel Control & Setup Program.
- Silences the buzzer during an alarm 1 or alarm 2 condition. You cannot silence failure alarms.
- Displays and resets the minimum and maximum gas concentration values.

### Buzzer

The buzzer is on the bottom of the housing. It is on the far right. The buzzer sounds audible alarms to warn you of gas alarms and instrument failures.

## H<sub>2</sub>S Detector Junction Boxes and Cables

Each of the two H<sub>2</sub>S detectors consists of a junction box with a mounting bracket, the detector, and the calibration cup/splash guard.

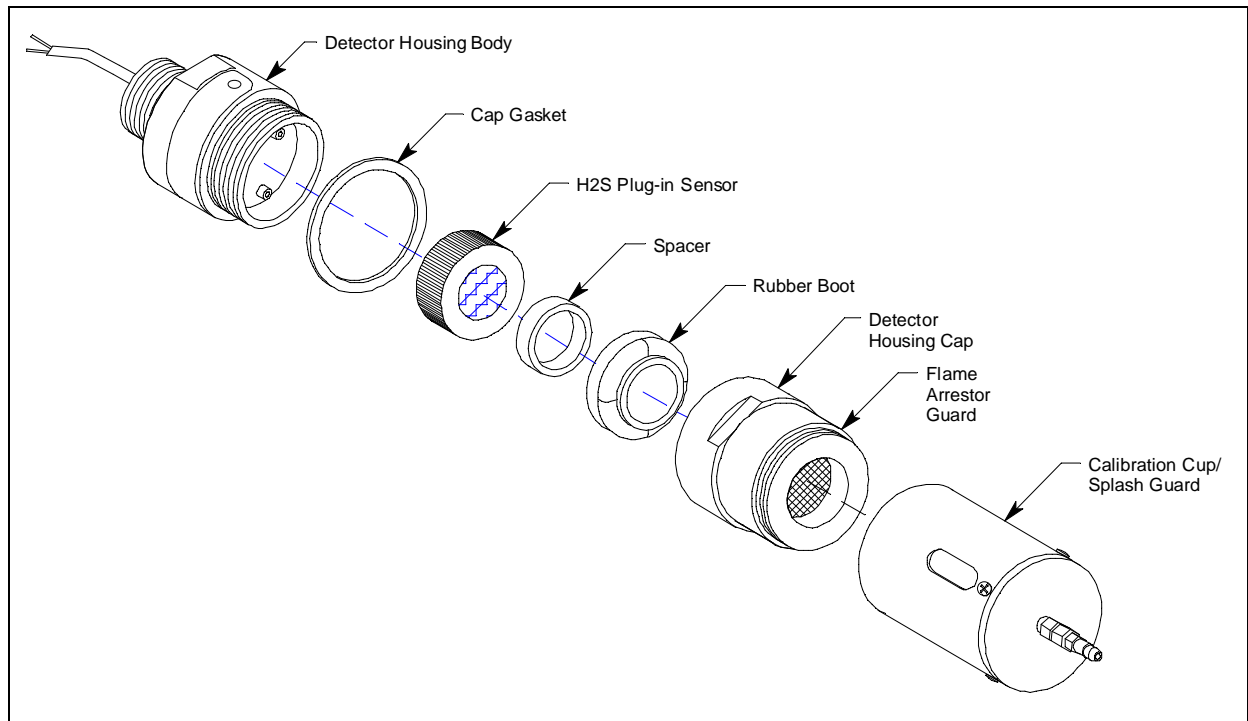


**Figure 2. H<sub>2</sub>S Junction Box Component Location**

The two H<sub>2</sub>S detectors are factory wired through the left and middle cable bushings of the Beacon 200 and has a user-defined length of cable for remote installation. The mounting bracket at the top of each junction box is used to mount the junction box. The junction box protects the detector wiring connections. Three spacers installed on the back of the junction box control the distance of the junction box from a mounting surface and ensure that there is enough room to perform a calibration. A cover on the front of the junction box allows access to the interior of the junction box.

The detector housing body protects the sensing components within the housing body. Use the removable cap near the bottom of the housing body to access the sensor for maintenance or replacement. The cap protects the sensor from damage and includes a flame arrester which contains any sparks which may occur within the detector housing body. A cap gasket seals the interface between the housing body and cap. A flame arrester guard is permanently bonded to the cap.

The calibration cup/splash guard is screwed onto the bottom of the flame arrester guard.



**Figure 3. H<sub>2</sub>S Detector Component Location**

The sensor is secured within the sensor housing by four pins. Through a series of chemical and electrical reactions, the sensor produces an electrical output that corresponds to the detection range of the detector. A pre-amplifier, located between the sockets and two interconnect wires, conditions the sensor's signal before the signal reaches the controller. A rubber boot and spacer are installed on the sensor face to ensure that the sensor remains plugged into the detector housing body.

### **AC Power Cord**

An 8 foot AC power cord is factory-wired through the right cable bushing of the Beacon 200. One end of the cable is connected to the AC In terminal strip.

## Internal Description

This section describes the internal components of the Beacon 200. See Figure 1 on page 9 for a view of the internal components.

### Display Printed Circuit Board (PCB)

The display PCB is mounted to the power supply mounting plate which is in turn mounted to the main PCB. The power supply mounting plate and main PCB are described below. The display PCB includes the display, the status lights, and the program buttons.

#### Display

The display simultaneously indicates the channel number, current gas reading, measuring unit, and target gas of all active channels.

The display also indicates messages, settings, and other data when you are operating the instrument programs.

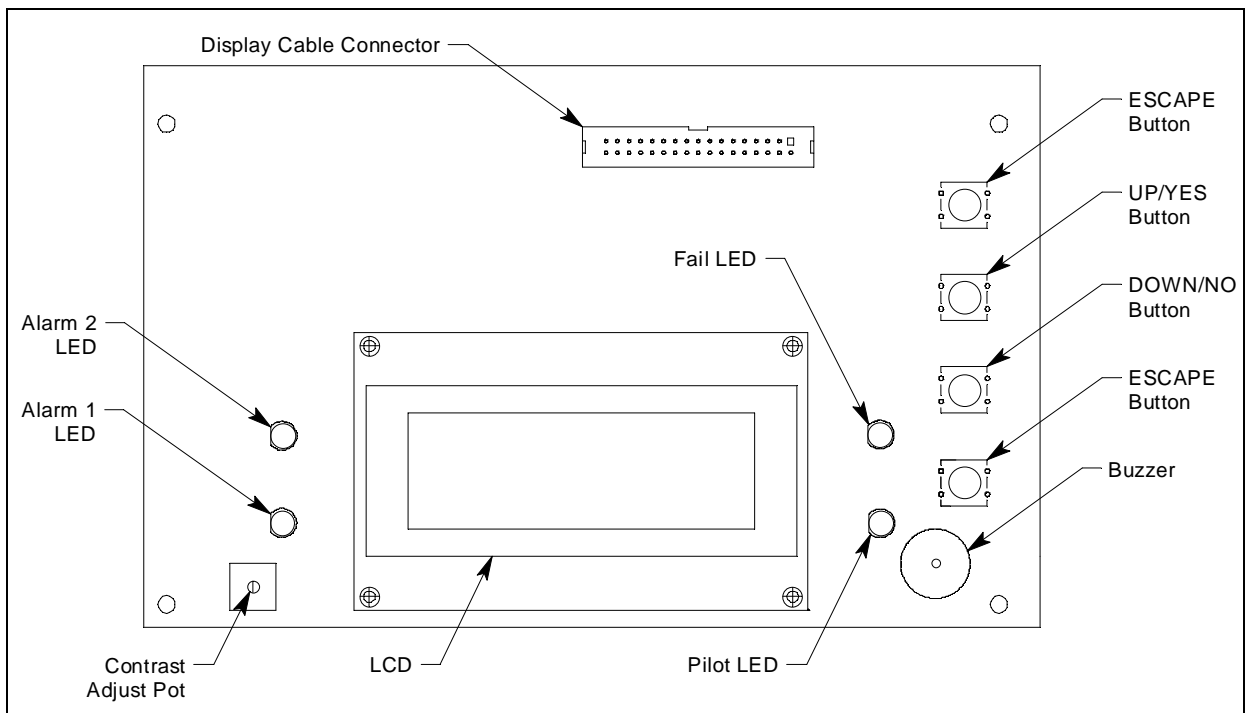


Figure 4. Display Board Component Location

## Status Lights

The Beacon 200 includes four status lights that indicate the current status of the monitor. The status lights are to the left and right of the display (see Figure 4).

- **Pilot Light.** The pilot light is on when the Beacon 200 is receiving incoming power.
- **Fail Light.** The fail light turns on when the Beacon 200 is experiencing a fail condition. A fail condition can be caused by a failure within the Beacon 200 or detector head wired to the Beacon 200. See “Chapter 6: Maintenance” on page 39 for instructions to respond to a fail condition.
- **Alarm 1 Light.** The alarm 1 light is on when the Beacon 200 is experiencing an alarm 1 gas condition.
- **Alarm 2 Light.** The alarm 2 light is on when the Beacon 200 is experiencing an alarm 2 gas condition.

## Program Buttons

The Beacon 200 includes four program buttons that allow you to enter the instrument programs, navigate through the programs, update instrument and channel settings, and save changes to the program settings. When a program button is pressed, a buzzer located on the display PCB beeps. The program buttons are near the right edge of the display PCB (see Figure 4).

**Table 2: Beacon 200 Program Button Functions**

Button	Function
ESCAPE	<ul style="list-style-type: none"><li>• Moves backward through the program menus</li><li>• Cancels changes you make in the program menus</li><li>• Enters the Channel Control and Setup program (press with the ENTER button)</li></ul>
UP/YES	<ul style="list-style-type: none"><li>• Accepts the displayed setting and proceeds to the next setting</li><li>• Changes the displayed setting</li><li>• Enters the Calibration program (press with the ENTER button)</li></ul>
DOWN/NO	<ul style="list-style-type: none"><li>• Allows you to update the displayed setting</li><li>• Changes the displayed setting</li></ul>
ENTER	<ul style="list-style-type: none"><li>• Saves changes you make in the programs</li><li>• Enters the Channel Control and Setup program (press with ESCAPE button)</li><li>• Enters the Calibration program (press with the UP/YES button)</li></ul>

## Main PCB

The main PCB is mounted inside the housing. The power supply mounting plate is mounted to the main PCB with four standoffs and the display PCB is mounted to the power supply mounting plate with four standoffs. The main PCB includes the terminal strips, relays, fuses, and power switch.

### Terminal Strips

The Beacon 200 includes four terminal strips for external wiring connections. See “Wiring the Beacon 200” on page 21 for detailed wiring procedures.

- **Detector/Transmitter Terminal Strips.** Two detector/transmitter terminal strips are located near the bottom left corner of the main circuit board (see Figure 1). These two 9-point terminal strips facilitate wiring connections to the detectors. Only one detector head at a time may be wired per channel. The top terminal strip is for channel 1 and the bottom terminal strip is for channel 2. The H<sub>2</sub>S detectors are factory wired to these terminal strips.
- **Alarm Terminal Strip.** The alarm terminal strip is located along the bottom edge of the main circuit board (see Figure 1). This 21-point terminal strips facilitates wiring connections to external alarm devices (horn, strobe, etc.). Terminals are provided for individual channels as well as common alarm relay contacts. The horn/strobe is factory wired to this terminal strip.
- **Controller Terminal Strip.** The 10-point controller terminal strip is near the lower right edge of the main circuit board (see Figure 1). The controller terminal strip facilitates various internal and external wiring connections. Table 3 lists the function of each terminal.

**Table 3: Terminal Assignments for the Controller Terminal Strip**

Terminal	Connects to:
BAT -	- connection from 24 VDC power source <sup>1</sup> (or 24 V backup battery)
BAT +	+ connection from 24 VDC power source <sup>1</sup> (or 24 V backup battery)
+ CH1 OUT	+ connection of 4 - 20 mA output, channel 1
- CH 1 OUT	- connection of 4 - 20 mA output, channel 1
+ CH2 OUT	+ connection of 4 - 20 mA output, channel 2
- CH2 OUT	- connection of 4 - 20 mA output, channel 2
RESET (2)	Reset switch (factory-wired)
BUZ-/BUZ+	Internal buzzer (factory-wired)
<i>1 If DC power is used as the primary power source, do not make wiring connections to the AC terminal strip.</i>	

- **AC In Terminal Strip.** The AC In terminal strip is a 3-point terminal strip located above the controller terminal strip (see Figure 1). It facilitates wiring from the AC power source. The 8 foot AC power cord is factory wired to this terminal strip. Table 4 lists the function of each terminal.

**Table 4: Terminal Assignments for the AC In Terminal Strip**

Terminal	Connects to:
LINE	Hot wire from AC power source.
NEUT	Neutral wire from AC power source.
GND	Earth ground

## Relays

The Beacon 200 includes four channel relays (two per channel) and three common relays. Both sets of relays are single-pole, double-throw (SPDT) and are rated for 10 amps at 115/200 VAC (resistive) or 10 amps at 30 VDC (resistive).

---

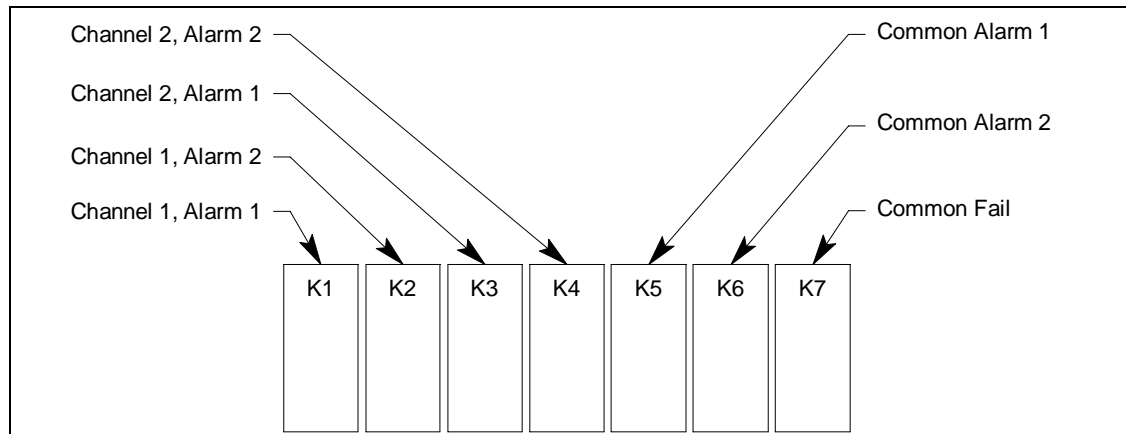
**NOTE:** You can select normally energized (NE) or normally de-energized (NDE) settings for each channel in the Channel Control and Setup program. This section describes the default setting: normally de-energized.

The alarm 1 and alarm 2 common relays are factory-set as NDE and the fail common relay is factory-set as NE. The alarm 1, alarm 2, and fail common relays' NE/NDE settings are not user-adjustable.

---

- **Channel relays.** The four channel relays are above the alarm terminal strip (see Figure 1). These relays are dedicated to specific channels and alarm levels.

For example, the channel 1, alarm 1 relay energizes if channel 1 recognizes an alarm 1 condition. Figure 4 below illustrates the allocation of the channel relays.



**Figure 5. Beacon 200 Channel Relay Allocation**



---

**NOTE:** The alarm 2 channel relays may be set to operate as individual channel fail relays. See “Configure Channel Settings Menu” on page 36 for instructions.

---

- **Common relays.** The three common relays, alarm 1, alarm 2, and fail, are to the left of the controller terminal strip (see Figure 1). These relays are common for both channels.

For example, the alarm 1 common relay energizes if **either** channel 1 or channel 2 recognizes an alarm 1 condition. The common alarm 1 relay is factory wired to the strobe/horn and is not available for customer use.

### **Fuses**

There are three fuses that are used in the Beacon 200. Two of them are AC fuses and one of them is a DC fuse.

- **AC Fuses.** The two fuses located directly to the left of the controller terminal strip are the AC fuses. They cut off the incoming AC power in the event of a short circuit or other electrical fault which causes a high current draw in the Beacon 200. They are housed in vertical fuse holders and are held in the holder by a quarter turn cover. They are labelled as F2 (top fuse) and F3 (bottom fuse) on the PCB silk-screen and are rated at 3 A, 250 V.
- **DC Fuse.** The fuse located to the left of the power switch is the DC fuse. It cuts off incoming DC power in the event of a short circuit or other electrical fault which causes a high current draw in the Beacon 200. It is also housed in a vertical fuse holder and is held in the holder by a quarter turn cover. It is labelled as F1 on the PCB silk-screen and is rated at 6A, 250 V.

### **Power Switch**

The power switch is located above the relays and to the left of the DC fuses (see Figure 1). The power switch turns the incoming AC power source on and off at the Beacon 200. When the switch is up, the power switch is on.

---

**NOTE:** The DC power input has no on/off switch and is not affected by the position of this switch.

---

### **Power Supply**

The power supply is mounted to the power supply mounting plate which is located behind the display PCB. The power supply mounting plate is mounted to the main PCB with four standoffs. The power supply receives the AC input from the external power source and converts it to a DC voltage that is usable by the Beacon 200 circuitry.

# Chapter 3: Installation and Start Up

---

## Overview

This chapter describes procedures to mount the Beacon 200, make wiring connections to the monitor, and start up the monitor.

---

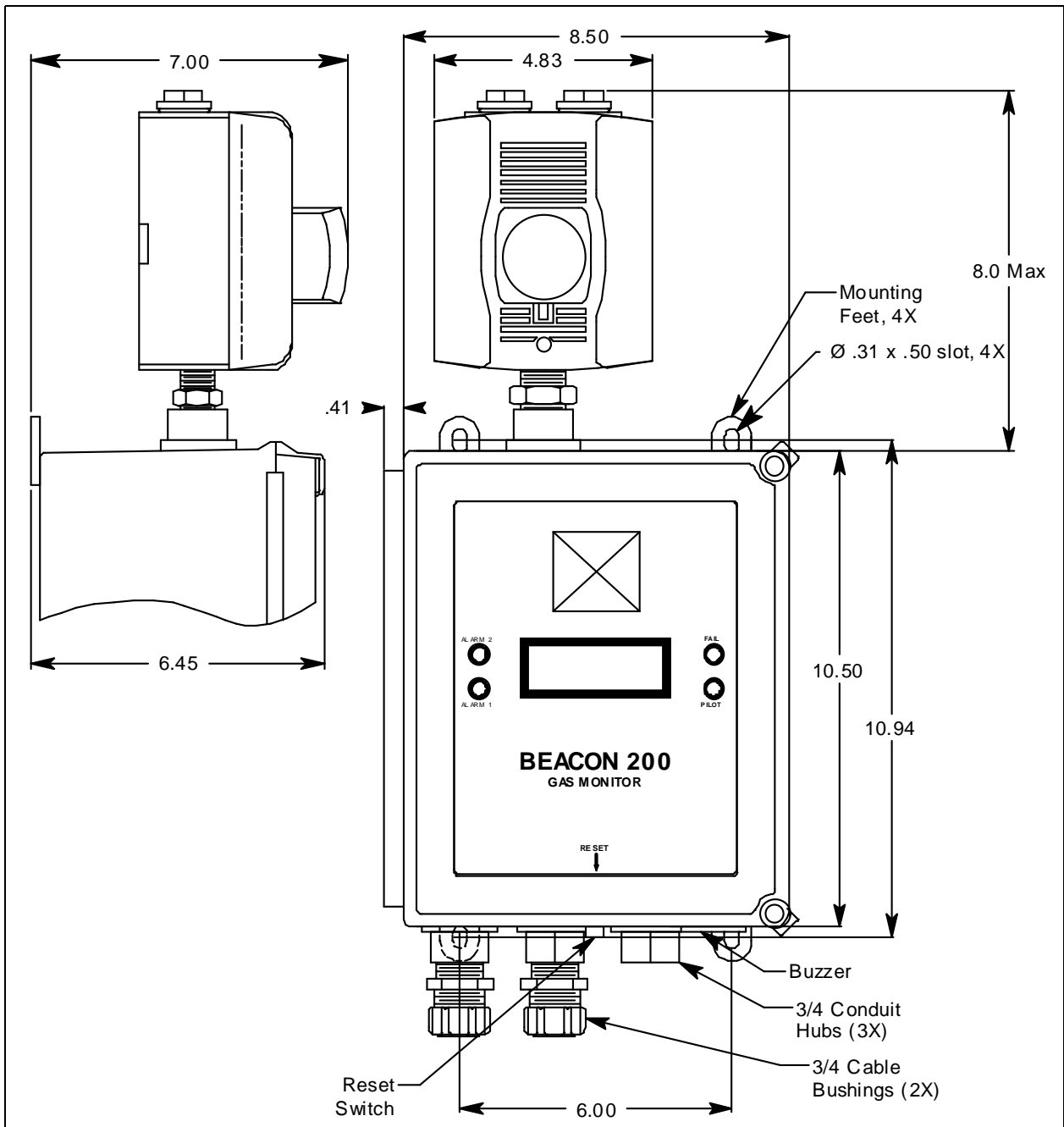
**WARNING:** *Perform all installation and start-up procedures in a “fresh air” environment (known to be free of combustible gas, toxic gas, and of normal oxygen content). The Beacon 200 is not in operation as a gas monitoring system until the start-up procedure is complete.*

---

## Mounting the Beacon 200

---

Perform the following procedure to install the Beacon 200 at the mounting site.

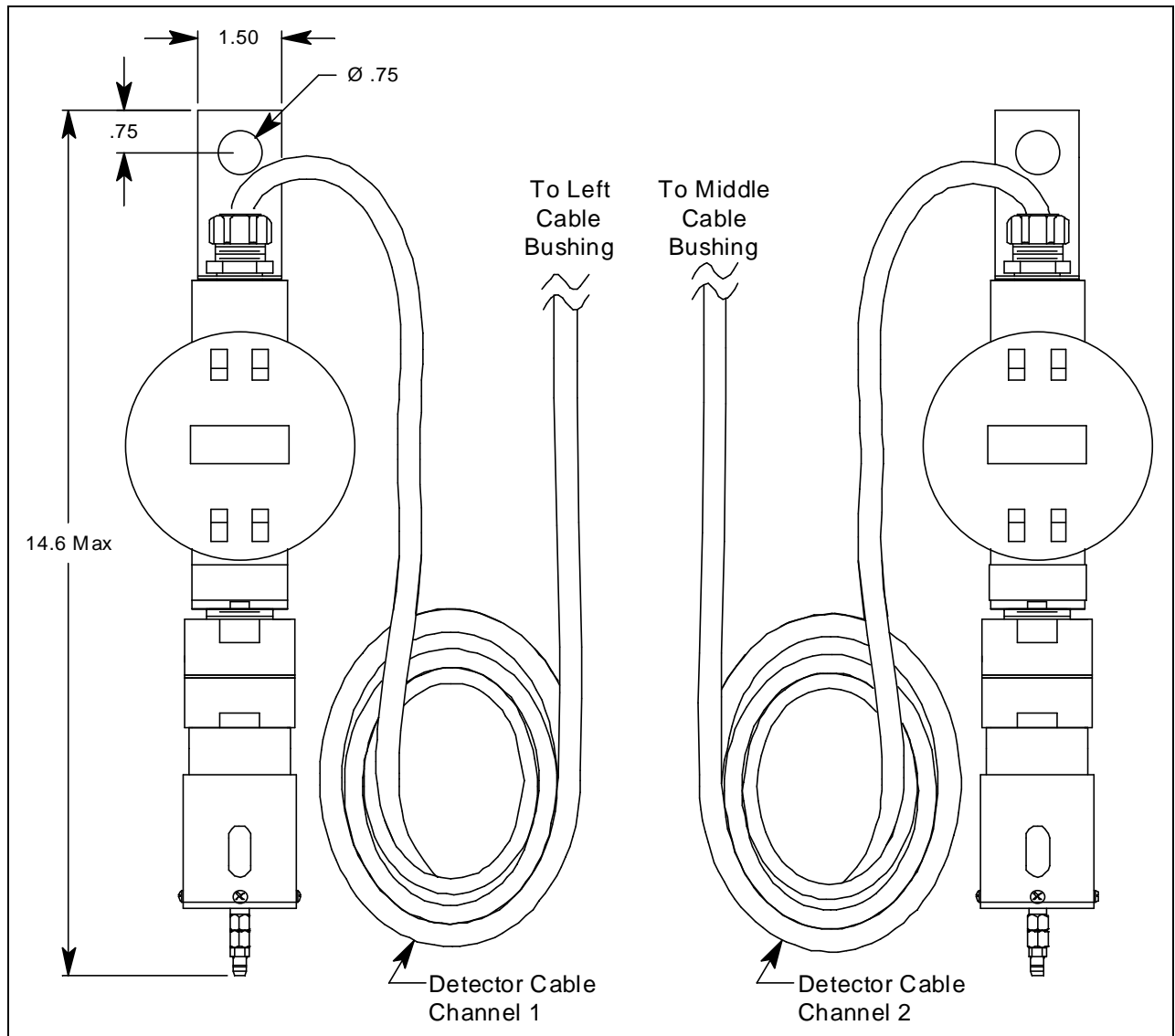


**Figure 6. Beacon 200 Outline and Mounting Dimensions**

1. Select the mounting site. When you select the mounting site consider the following factors:

- Is an AC or DC power source available?
- Is there enough room to open the housing door and make wiring connections through the conduit hubs at the bottom of the housing?
- Are the display screen and status lights visible?

2. Close and latch the housing door.
3. Position the monitor on a vertical surface at eye level (4 1/2 to 5 feet from the floor).
4. The Beacon 200 is shipped with the mounting feet positioned behind the housing. Loosen the screws that secure the feet to the housing, rotate the feet to their mounting position (as shown in Figure 6), then tighten the screws.
5. Insert 1/4 in. or 5/16 in. screws through the slots in the mounting feet at each corner of the housing to secure the housing to the mounting surface (see Figure 6).
6. Hang each H<sub>2</sub>S detector junction box using the mounting bracket. Ensure that the detectors are facing down.



**Figure 7. H<sub>2</sub>S Detector Outline and Mounting Dimensions**

# Wiring the Beacon 200

The detector leads, junction box connections, and strobe/horn wiring are all factory wired.

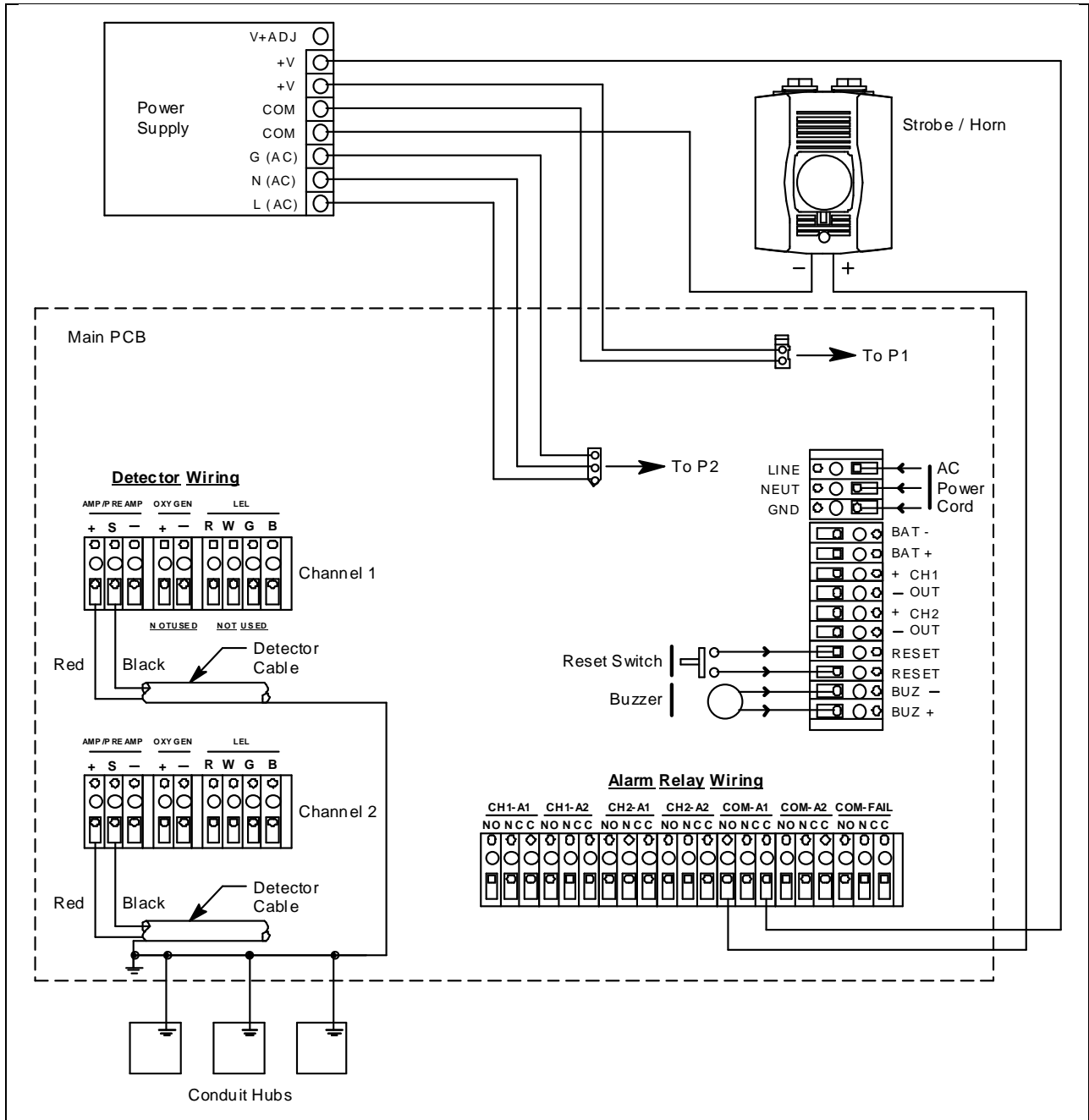


Figure 8. Beacon 200 Factory Wiring Diagram

**WARNING:** Make all connections to the Beacon 200 before you connect the DC power source. Before you make any wiring adjustments, always verify that all power sources are not live.

## Routing Wiring Into the Beacon 200 Housing

Wiring must be brought into the housing through one of the three factory-installed conduit hubs on the bottom of the housing.

Do not drill into the Beacon 200 housing for any reason. Drilling the Beacon 200 housing and routing wiring through holes not factory drilled will void the warranty and could result in:

- Damage to internal components from the drilling process.
- Moisture damage to internal components from poorly sealed holes.
- Unpredictable Beacon 200 behavior due to EMI/RFI interference caused by wires routed across the PCBs.
- Possible shorting of Beacon 200 components due to wires routed across the PCBs.

## Connecting the AC Power Source

---

**NOTE:** If you are using DC power as the primary power source, go to the next section, “Connecting the DC Power Source.”

---

The 8 foot AC power cord is routed through the right-hand cable bushing on the bottom of the housing and is factory wired to the AC In terminal strip. Additional wiring is not necessary.

## Connecting the DC Power Source

---

**WARNING:** *Verify that the power source is unplugged or turned off at the power source end before you continue with this procedure.*

---

DC power may be used as a primary power source. It may also be used as a backup power source with a 24 VDC battery if AC power is the primary power source. If DC power is the **primary** power source, **DO NOT** connect AC power.

1. Turn off or unplug all incoming power to the Beacon 200 at the power source end.
2. Open the housing door, then place the power switch in the OFF position. Locate the DC power terminals on the controller terminal strip (see Figure 1). They are labelled BAT - and BAT +
3. Install an appropriately rated cable bushing or conduit to one of the unused conduit hubs on the bottom of the Beacon 200 housing.

---

**CAUTION:** *Only use the three factory installed conduit hubs on the bottom of the housing for wire entry into the housing. Do not drill the housing for any reason. See “Routing Wiring Into the Beacon 200 Housing” on page 22 for more information.*

---

4. Guide a DC power cord or wires through the selected conduit hub.

---

**CAUTION:** Do not route power and detector head wiring through the same conduit hub. The power wiring may disrupt the transmission of the detector head signal to the monitor.

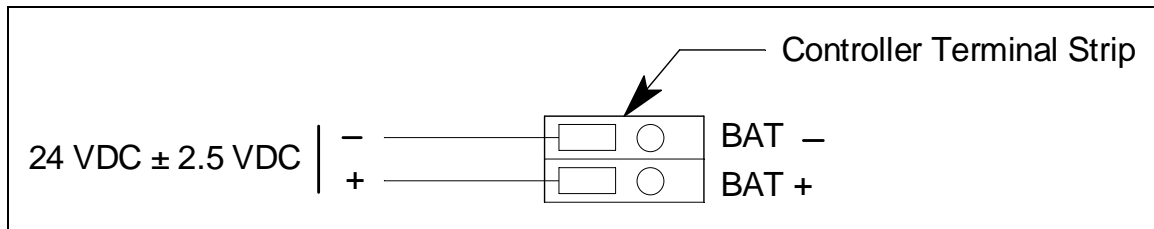
---

---

**CAUTION:** When a battery is used as backup power, the Beacon 200 trickle charges the battery. Do not use a non-rechargeable battery as backup power. Use RKI backup battery 49-8102RK or an appropriately rated rechargeable lead acid type battery.

---

5. Connect the DC wires to the controller terminal strip as shown in Figure 7.



**Figure 9. DC Power Wiring**

---

**NOTE:** If a 24 VDC battery is used as a **backup** power source, as long as AC power is on the Beacon 200 will keep a trickle charge on the battery to maintain its charge. If AC power is interrupted, the Beacon 200 will operate from the DC backup battery until the battery voltage drops to 21.5 volts or less, or until AC power is restored. Battery recharge time will vary depending on how much the battery was drained.

---

## Connecting External Alarms

Perform the following procedure to connect external alarm devices to the Beacon 200. The relays are rated for 10 amps at 115/200 VAC (resistive) or 10 amps at 30 VDC (resistive). The common alarm 1 terminals are factory wired and are not available for field use.

---

**NOTE:** The alarm terminal strip includes terminals for **channel** alarms and **common** alarms. Channel alarms are activated by one particular channel. Common alarms are activated by either of the two channels. The example used in this procedure describes connecting an external alarm device to one of the channel alarm terminals: the channel 1, alarm 1 terminals.

---

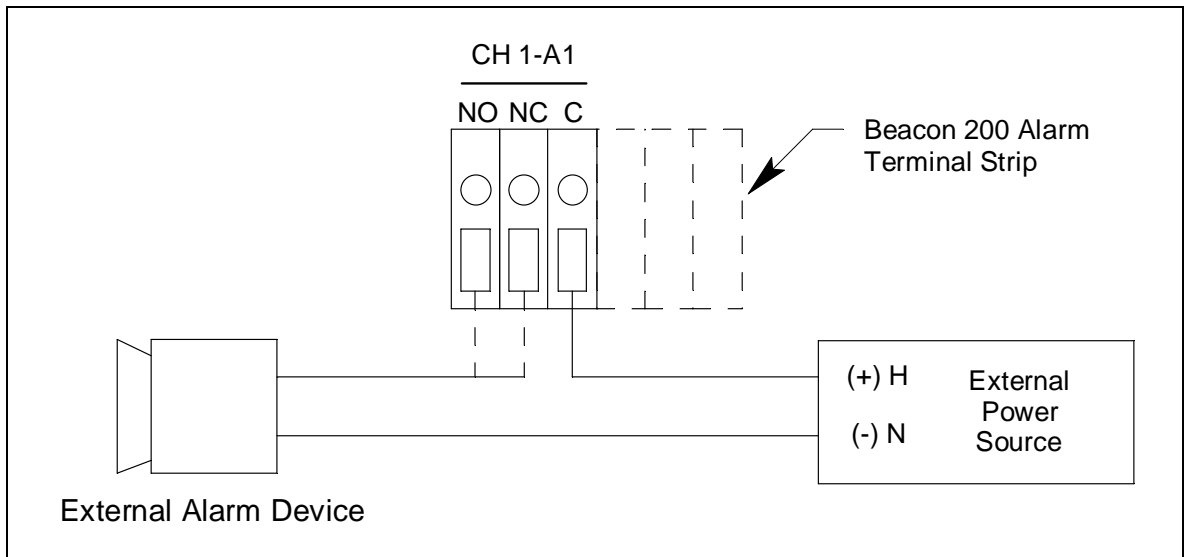
1. Turn off or unplug all incoming power to the Beacon 200 at the power source end.
2. Open the housing door, then place the power switch in the OFF position. Locate the alarm terminal strip (see Figure 1).
3. Guide the wiring of the external alarm device through the cable bushing on the right-most conduit hub on the bottom of the Beacon 200 housing. The power wiring should already be installed through this cable bushing.

---

**CAUTION:** Only use the three factory installed conduit hubs on the bottom of the housing for wire entry into the housing. Do not drill the housing for any reason. See “Routing Wiring Into the Beacon 200 Housing” on page 22 for more information.

---

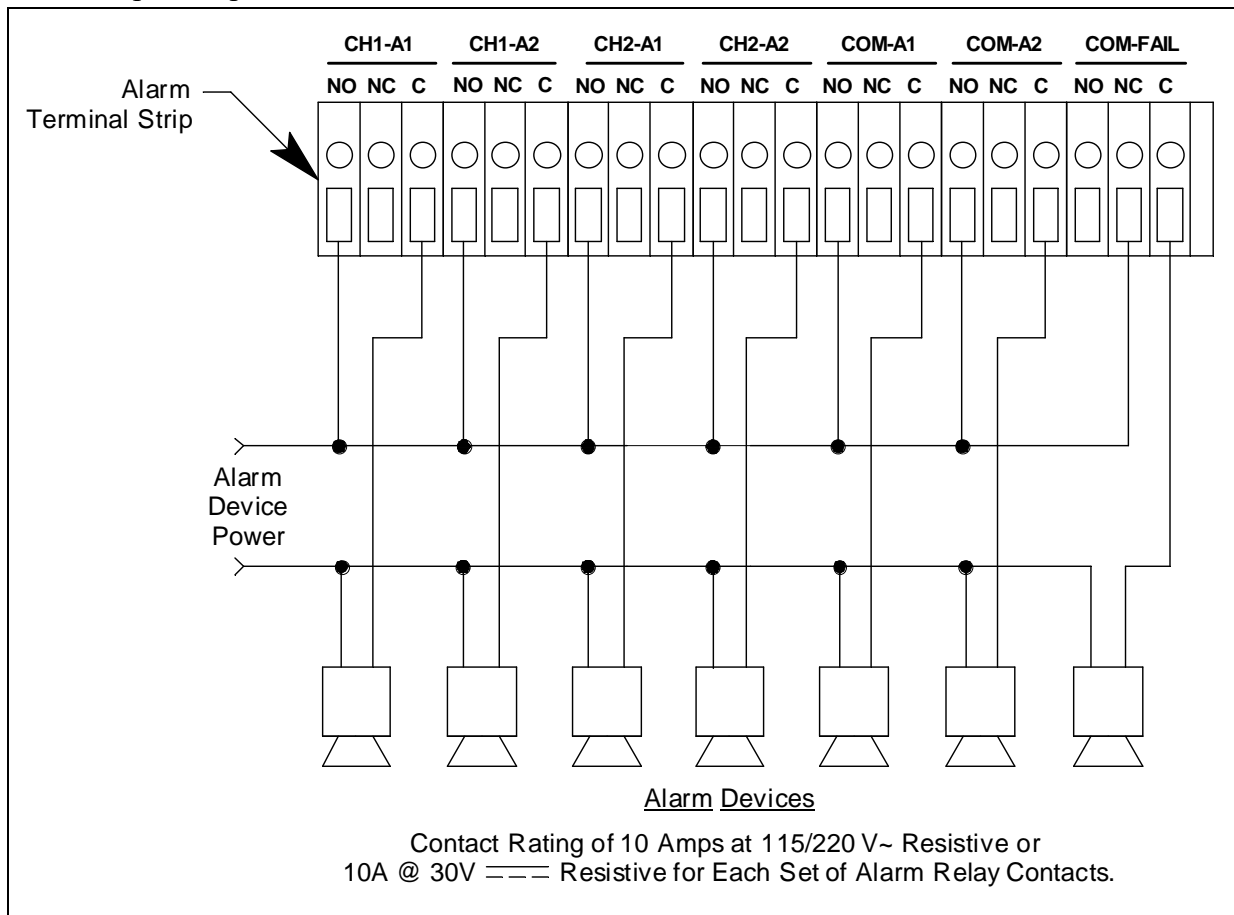
4. Connect the leads from the external alarm device and power to the alarm terminals as shown in Figure 10.



**Figure 10. Typical External Alarm Wiring, Single Device**



5. Repeat steps 4 and 5 for additional external alarm devices.



**Figure 11. Typical External Alarm Wiring, Multiple Devices**

## Connecting a Recorder

Perform the following procedure to connect an analog recording device to the Beacon 200. The output at the recorder output terminals is a 4 - 20 mA signal that is proportional to the detection range of the applicable detector head.

1. Turn off or unplug all incoming power to the Beacon 200 at the power source end.
2. Open the housing door, then place the power switch in the OFF position. Locate the recorder output terminals on the controller terminal strip (see Figure 1).
3. Guide the wiring from the recording device through the cable bushing on the right-most conduit hub on the bottom of the Beacon 200 housing. The power wiring should already be installed through this cable bushing.

---

**CAUTION:** Only use the three factory installed conduit hubs on the bottom of the housing for wire entry into the housing. Do not drill the housing for any reason. See “Routing Wiring Into the Beacon 200 Housing” on page 22 for more information.

---

4. Connect the wires from the recording device to the recorder output terminals as shown in Figure 12.

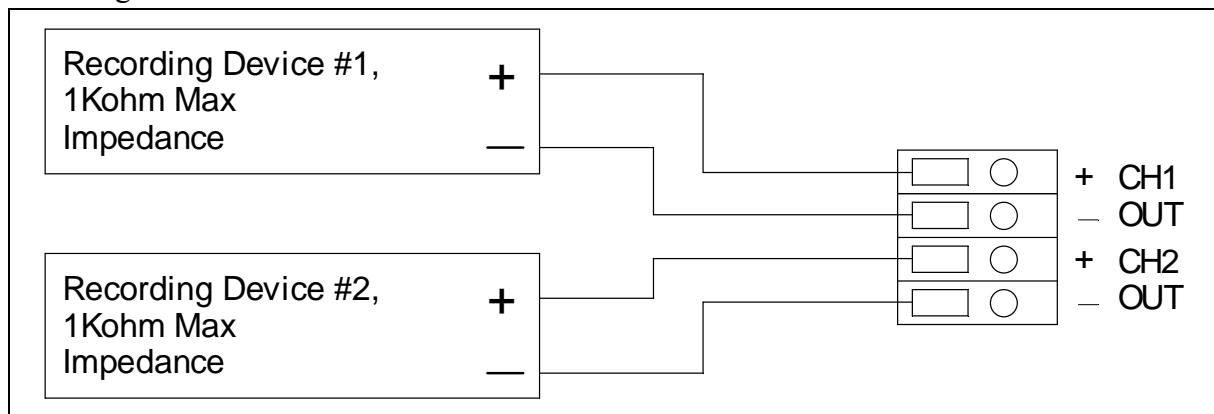


Figure 12. Recorder Output Wiring

---

## Starting Up the Beacon 200

Perform the following procedure to place the Beacon 200 into normal operation.

1. Complete the mounting and wiring procedures described earlier in this chapter.
2. Verify that all wiring connections are correct and secure and that the Beacon 200's power switch is in the OFF position.
3. Plug in or turn on the incoming power source (AC or DC) at the power source end.
4. Place the Beacon 200's power switch in the ON position. **RKI INSTRUMENTS BEACON 200** appears on the display for a few seconds, then **WARMING UP** appears for each active channel. The warm-up period will last for one minute.

---

**NOTE:** To prevent unwanted alarms during warm up, the alarm circuits are not active while the **WARMING UP** message is displayed.

---

5. Verify that the PILOT light is on. If the PILOT light is not on, see "Troubleshooting" on page 49.
6. The H<sub>2</sub>S detectors will begin operating once power is introduced to the Beacon 200.

# Chapter 4: Operation

---

## Overview

This chapter describes the Beacon 200 in normal operation. This chapter also describes the Beacon 200 in alarm 1, alarm 2, and fail conditions and suggests responses to these conditions.

---

## Normal Operation

Normal operation is defined as follows:

- The start-up procedure is complete.
- The Beacon 200 is not indicating an alarm 1, alarm 2, or fail condition.
- The Beacon 200 is not running the Channel Control & Setup or Calibration Programs.

During normal operation, the Beacon 200 simultaneously displays the current gas reading, unit of measure, and target gas for each active channel.

1:	0 ppm	H2S
2:	0 ppm	H2S

The PILOT light is on during normal operation indicating that the Beacon 200 is receiving incoming power.

---

## Recorder Output Operation

The output at the recorder output terminals is a 4 - 20 mA signal for each active channel that is proportional to the detection range of the channel. A channel that is set as CHANNEL NOT USED or CHANNEL DISABLED in the Channel Control & Setup Program (see “Chapter 5: Channel Control and Setup Program” on page 34) has an output of 0 mA.

There are several special circumstances where the recorder output will behave as follows:

- When a channel is in WARMUP after the Beacon 200 is turned on, the recorder output will be at 4 mA.
- If the Beacon 200 is being powered by a battery and is in low battery alarm, the recorder output for each channel will be 0 mA.
- When a channel is added or a channel type changed, the display will indicate NEEDS CALIBRATION for that channel when the Beacon 200 is first turned on and will continue to indicate this until the channel is calibrated. In this situation, the recorder output will be at 3.2 mA until the channel is calibrated.
- If a channel goes into a fail condition, the recorder output will be 0 mA.
- If you enter any of the instrument programs, such as the Calibration Program, the recorder output will hold at the value it was at when you entered the program was entered until you return to normal operation.

## Alarm Indications

This section describes the Beacon 200 in alarm 1, alarm 2, and fail conditions and suggests response to these conditions. Table 5 below lists the alarm indications for each condition.

**NOTE:** The Beacon 200 includes alarm on and alarm off delay settings for each channel and level of gas alarm. The alarm indications described in this section operate according to the factory set delay settings. See “Configure Channel Settings Menu” on page 36 for all the factory settings.

**Table 5: Visual and Audible Alarm Indications**

Condition	Cause	Visual Indication(s)	Audible Indication
Alarm 1 <sup>1</sup>	Increasing gas reading at or above the alarm 1 setpoint	<ul style="list-style-type: none"> <li>ALARM 1 light is on</li> <li>Gas reading flashes and alternates with <b>ALARM-1</b> message</li> <li>Strobe/horn turns on</li> </ul>	Pulsing tone
Alarm 2 <sup>1</sup>	Increasing gas reading at or above the alarm 2 setpoint	<ul style="list-style-type: none"> <li>ALARM 2 light is on</li> <li>Gas reading flashes and alternates with <b>ALARM-2</b> message</li> </ul>	Pulsing tone
Fail	<ul style="list-style-type: none"> <li>Disconnected or misconnected detector wiring</li> <li>Display reading below -10% of full scale or lower</li> <li>Defective components</li> </ul>	<ul style="list-style-type: none"> <li>FAIL light is on</li> <li><b>FAIL</b> message flashes in place of gas reading</li> </ul>	Steady tone
Low Battery <sup>2</sup>	No AC power <b>and</b> DC power source (primary or backup) less than 21.5 volts.	<ul style="list-style-type: none"> <li>FAIL light is on</li> <li><b>SUPPLY VOLTAGE IS TOO LOW LOW POWER STANDBY</b> message and actual voltage of incoming DC power</li> </ul>	None
<p>* <sup>1</sup>If the Beacon 200 is in both an alarm 1 and an alarm 2 condition, both alarm lights are on and the display alternates between the gas reading and the <b>ALARM-1 ALARM-2</b> message.</p> <p>* <sup>2</sup>If DC power is used as primary or backup power source.</p>			

---

**NOTE:** You can select normally energized (NE) or normally de-energized (NDE) channel relay settings in the Channel Control & Setup menu. The following sections describe the default setting for the channel relays which is NDE.

Common alarm 1 and alarm 2 relays are factory-set as NDE, and the common fail relay is factory set as NE. The common relays' NE/NDE settings are not user-adjustable.

---

## **Alarm 1 Condition**

This section describes the audible and visual indications for an alarm 1 condition and suggests response to an alarm 1 condition.

### ***Alarm 1 Condition Indications***

When the gas reading of an active channel reaches the alarm 1 setpoint, the Beacon 200 senses an alarm 1 condition. The Beacon 200 alerts you to an alarm 1 condition as follows:

- The ALARM 1 light turns on.
- The gas reading in alarm 1 condition flashes and alternates with the **ALARM-1** message.
- The buzzer sounds a Pulsing tone.
- The common alarm 1 relay energizes and the strobe/horn activates.
- The applicable alarm 1 channel relay energizes.

### ***Responding to an Alarm 1 Condition***

This section suggests response to an alarm 1 condition.

1. Follow your established procedure for a low level H<sub>2</sub>S condition.
2. Alarms are latching. After the gas reading falls below the alarm 1 setpoint, press the reset switch to reset the alarm 1 circuit. Resetting the alarm 1 circuit silences the buzzer, turns off the ALARM 1 light, resets the channel display, de-energizes the common and channel alarm 1 relays, and turns off the strobe/horn.

---

**NOTE:** To silence the buzzer while in an alarm 1 condition, press the reset switch.

You cannot de-energize the alarm 1 relays and consequently the strobe/horn until the gas reading falls below the alarm 1 setpoint.

---

## **Alarm 2 Condition**

This section describes the audible and visual indications for an alarm 2 condition and suggests response to an alarm 2 condition.

### ***Alarm 2 Condition Indications***

When the gas reading of an active channel reaches the alarm 2 setpoint, the Beacon 200 senses an alarm 2 condition. The Beacon 200 alerts you to an alarm 2 condition as follows:

- The ALARM 2 light turns on.
- The gas reading in alarm 2 condition continues to flash and alternates with the **ALARM-2** messages.
- The buzzer sounds a Pulsing tone.
- The common alarm 2 relay energizes.
- The applicable alarm 2 channel relay energizes.

### ***Responding to an Alarm 2 Condition***

This section suggests response to an alarm 2 condition.

1. Follow your established procedure for a high level H<sub>2</sub>S condition.
2. Alarms are latching. After the gas reading falls below the alarm 2 setpoint, press the reset switch to reset the alarm circuit. Resetting the alarm circuit turns off the ALARM 2 light, and de-energizes the common and channel alarm 2 relays.

---

**NOTE:** To silence the buzzer while in an alarm 2 condition, press the reset switch.

You cannot de-energize the alarm 2 relays until the gas reading falls below the alarm 2 setpoint.

---

## **Fail Condition**

This section describes the audible and visual indications for a fail condition and suggests response to a fail condition.

### ***Fail Condition Indications***

The Beacon 200 senses a fail condition for any of the following:

- The detector head wiring to the Beacon 200 is disconnected or incorrectly connected.
- The detector head's detector is disconnected or incorrectly connected.
- The display reading is -10% of full scale or lower.
- The Beacon 200 or detector head is malfunctioning.

When the Beacon 200 senses a fail condition, it alerts you as follows:

- The FAIL light turns on.
- The gas reading for the failing channel is replaced by the **FAIL** message.
- The buzzer sounds a steady tone.
- The common fail relay de-energizes.

---

**NOTE:** If you elected to use the channel's alarm 2 relay as an individual fail relay in the Channel Control & Setup menu, the relay de-energizes in a fail condition. See "Chapter 5: Channel Control and Setup Program" on page 34 for a description of this setting.

---

### ***Responding to a Fail Condition***

This section suggests response to a fail condition.

1. Verify that the detector head wiring to the Beacon 200 is correctly and securely connected.
2. Verify that the detector head's detector is correctly and securely connected.
3. See the troubleshooting guide in the detector head instruction manual.

### **Low Battery Condition**

This section describes the audible and visual indications for a low battery condition and suggests response to a low battery condition. This condition only applies when DC power is used as a primary or backup power source.

---

**NOTE:** When a 24 VDC battery is used as a backup power source, the Beacon 200 keeps the battery charged by providing a trickle charge from the AC power source. If AC power is interrupted, the Beacon 200 will operate from the DC backup battery until the battery voltage drops to 21.5 volts or less, or until AC power is restored.

---

### ***Low Battery Condition Indications***

The Beacon 200 senses a low battery condition when:

- AC power is disconnected, misconnected, or interrupted

AND

- the DC power source is 21.5 volts or less

When the Beacon 200 senses a low battery condition, it alerts you as follows:

- The FAIL light turns on.
- The top display screen displays the **SUPPLY VOLTAGE IS TOO LOW, LOW POWER STANDBY** message and the actual voltage of incoming DC power.



## ***Responding to a Low Battery Condition***

This section suggests response to a low battery condition.

If DC power is the **primary** power source:

1. For a *temporary* DC power source, disconnect primary DC power at the Beacon 200, then connect a 24 VDC backup battery.
2. Determine and correct the cause of primary DC power loss.

When the DC power source rises above 22.0 volts, the Beacon 200 begins the warm up process.

If DC power is the **backup** power source:

1. Replace or recharge the 24 VDC backup battery to resume backup power capability.
2. Determine and correct the cause of primary AC power loss.

When backup DC or primary AC power is restored, the Beacon 200 begins the warm up process. When AC power is restored, the Beacon 200 charges the backup battery until it is fully recharged. Charge time varies depending on the battery size and how much the battery was depleted. Once the battery is fully charged, the Beacon 200 reverts to a trickle charge to maintain the battery charge.

---

## **Viewing & Resetting Min/Max Readings**

The Reset switch may be used to view and reset the minimum and maximum gas readings for the active channel(s).

1. While the Beacon 200 is in normal operation, press and hold the Reset switch button for 3 seconds.
2. The display will indicate **MIN / MAX Display Press RESET when done viewing . . .** for 5 seconds before displaying the minimum and maximum readings for the active channel(s). The minimum reading is on the left and the maximum is on the right side of the display for each channel.
3. Press and release the Reset switch button to exit the min/max screen. The display will indicate **To RESET Min/MAX values Press and HOLD RESET Button** for 10 seconds and then return to normal operation.
  - To return to normal operation without resetting the minimum and maximum readings, do not press the Reset switch button and allow the unit to return to normal operation.
  - To reset the minimum and maximum readings, before the unit returns to normal operation press and hold the Reset switch button until the display indicates **Min/Max Values Have Been Reset**. Release the Reset switch button. The unit will then return to normal operation.

# Chapter 5: Channel Control and Setup Program

---

## Overview

The Channel Control & Setup Program allows viewing of and changes to instrument setup parameters. It is accessed using the program buttons. The Channel Control & Setup Program includes three menus as described in Table 6.

**Table 6: Channel Control & Setup Program Menus**

Menu	Function
Enable/Disable Channel(s)	Configures channels as enabled, disabled, or not used
Configure Channel Settings	Configures alarm settings, noise filter setting, and zero suppression setting for each channel
View System Information	Displays the firmware version number and the instrument operating voltage

To enter the Channel Control & Setup Program, simultaneously press and hold the ESCAPE and ENTER buttons for approximately 5 seconds.

The Channel Control & Setup Program menu includes a 5-minute time-out feature. If you do not press a button for 5 minutes, the Beacon 200 automatically returns to normal operation.

---

**NOTE:** If the Beacon 200 returns to normal operation because of a program time-out, the active channels enter a warm-up period just as they do when the unit is first turned on.

If you are installing a new system, the channels have been setup at the factory for the ordered detector heads. Use the Channel Control & Setup Program only if you want to disable or enable a channel, delete a channel, or change channel settings. If a channel is being added or a channel is being changed from one type to another, contact RKI Instruments, Inc. for additional documentation required to define the channel type.

---

---

## Enable/Disable Channel(s) Menu

1. From normal operation, simultaneously press and hold the ESCAPE and ENTER buttons for approximately 5 seconds to enter the Channel Control & Setup Program. Release the buttons when the **Control & Setup Program Proceed? [YES] or [NO]** message appears on the display screen.
2. Press the UP/YES button to continue.
3. Press the UP/YES or DOWN/NO button until the **1) Enable/Disable Channel(s)** message appears on the display screen, then press the ENTER button.
4. Use the UP/YES and DOWN/NO buttons to select the channel you want to enable or disable, then press the ENTER button.
5. Press the DOWN/NO button. The CHANNEL USAGE setting displays on the display screen.
6. Use the UP/YES and DOWN/NO buttons to display the setting you want, then press the ENTER button to select the setting. The table below describes the three available settings.

**Table 7: Beacon 200 Channel Usage Settings**

Setting	Description
CHANNEL ENABLED	The Beacon 200 displays gas readings and initiates gas and channel failure alarms when appropriate. Use this setting for normal operation when the channel has a detector head wired to it.
CHANNEL DISABLED	The Beacon 200 displays <b>DISABLED</b> for the channel and the channel's alarm circuit is <b>not</b> active. Use this setting when the channel has a detector head wired to it, but gas readings and alarms are not required for the channel (for example if the detector head requires maintenance or is malfunctioning).
CHANNEL NOT USED	The Beacon 200 leaves the channel blank on the display screen. Use this setting when the channel does <b>not</b> have a detector head wired to it.

7. Press the ESCAPE button, then press the DOWN/NO button to return to normal operation.

---

## Configure Channel Settings Menu

This section describes how to view and change channel parameters for the installed gas channels.

1. Simultaneously press and hold the ESCAPE and ENTER buttons for approximately 5 seconds to enter the Channel Control & Setup Program. Release the buttons when the **Control & Setup Program Proceed? [YES] or [NO]** message appears on the display screen.
2. Press the UP/YES button to continue.
3. Press the UP/YES or DOWN/NO button until the **2) Configure Channel Setting(s)** message appears on the display screen, then press the ENTER button.
4. Use the UP/YES and DOWN/NO buttons to select the channel for which you want to set parameters, then press the ENTER button.
5. Press the UP/YES button until the parameter you want to set appears on the display screen. The screen will display the current setting and ask if it is OK.

Table 8 lists the parameters you can set for a channel. Table 8 also lists the factory set value for each parameter.

---

**NOTE:** Use the ESCAPE button to go back to a previously displayed parameter.

---

6. If the setting is not OK and you want to change the it, press the DOWN/NO button. The parameter is now adjustable.
7. Use the UP/YES or DOWN/NO button to update the parameter, then press the ENTER button to continue.
8. Repeat steps 5 through 7 to set any other channel parameters.
9. Press the UP/YES button until the following message appears on the display screen.

```
Configuration for
-- CHANNEL 1 --
has been completed
Save Settings? [Y/N]
```

10. Press the UP/YES button to save the configuration. The screen will then return to the Channel Control & Setup menu.
11. To view or change the Channel 2 settings, scroll to the Configure Channels Menu and repeat steps 4 through 10.
12. To exit the Channel Control & Setup menu, press ESCAPE to return to the screen which asks **Control & Setup Program Proceed? [YES] or [NO]**.

13. Press the DOWN/NO button to return to normal operation.

**Table 8: Channel Setting Parameters**

<b>Parameter (Factory-Set Value)</b>	<b>Description</b>
ALARM-1 Level (10 ppm H <sub>2</sub> S)	The gas reading at which the Beacon 200 initiates an alarm 1 condition.
ALARM-1 ON DELAY (1 sec)	The amount of time the Beacon 200 delays activation of the alarm 1 circuit once an alarm 1 condition is initiated.
ALARM-1 OFF DELAY (0 sec)	The amount of time the Beacon 200 delays turning off the alarm 1 circuit once an alarm 1 condition passes.
ALARM-1 (activation) (INCREASING)	Indicates if the alarm 1 circuit is activated by gas readings <b>INCREASING</b> or <b>DECREASING</b> to the ALARM-1 Level. <i>Note: Changing this parameter will affect the operation of the factory installed strobe/horn. Do not change this parameter from the factory setting.</i>
ALARM-1 Relay (action) (NORMALLY DE-ENERGIZED)	If set as <b>NORMALLY DE-ENERGIZED</b> , the channel's alarm 1 relay is de-energized in normal operation and energizes when an alarm 1 condition is initiated. If set as <b>NORMALLY ENERGIZED</b> , the channel's alarm 1 relay is energized in normal operation and de-energizes when an alarm 1 condition is initiated. <i>Note: Changing this parameter will affect the operation of the factory installed strobe/horn. Do not change this parameter from the factory setting.</i>
ALARM-1 Relay (reset) (LATCHING)	If set as <b>LATCHING</b> , you must press the RESET button to reset the alarm 1 circuit after the alarm 1 condition passes. If set as <b>SELF RESETTING</b> , the Beacon 200 automatically resets the alarm 1 circuit after the alarm 1 condition passes.
ALARM-2 Relay (used for) (ALARM-2 Condition)	If set as <b>ALARM-2 Condition</b> , the channel's alarm 2 relay activates when an alarm 2 condition is initiated for the channel. If set as <b>FAIL Condition</b> , the channel's alarm 2 relay activates when a fail condition is initiated for the channel.
ALARM-2 Level (50 ppm H <sub>2</sub> S)	The gas reading at which the Beacon 200 initiates an alarm 2 condition.
ALARM-2 ON DELAY (1 sec)	The amount of time the Beacon 200 delays activation of the alarm 2 circuit once an alarm 2 condition is initiated.
ALARM-2 OFF DELAY (0 sec)	The amount of time the Beacon 200 delays turning off the alarm 2 circuit once an alarm 2 condition passes.
ALARM-2 (activation) (INCREASING)	Indicates if the alarm 2 circuit is activated by gas readings <b>INCREASING</b> or <b>DECREASING</b> to the ALARM-2 Level.

**Table 8: Channel Setting Parameters (Continued)**

<b>Parameter (Factory-Set Value)</b>	<b>Description</b>
ALARM-2 Relay (action) (NORMALLY DE-ENERGIZED)	If set as <b>NORMALLY DE-ENERGIZED</b> , the channel's alarm 2 relay is de-energized in normal operation and energizes when an alarm 2 condition is initiated. If set as <b>NORMALLY ENERGIZED</b> , the channel's alarm 2 relay is energized in normal operation and de-energizes when an alarm 2 condition is initiated.
ALARM-2 Relay (reset) (LATCHING)	If set as <b>LATCHING</b> , you must press the RESET button to reset the alarm 2 circuit after the alarm 2 condition passes. If set as <b>SELF RESETTING</b> , the Beacon 200 automatically resets the alarm 2 circuit after the alarm 2 condition passes.
NOISE FILTER (3)	The noise filter feature helps "smooth out" jumpy or noisy signals from the detector head. You can set the noise filter from 1 to 8. A setting of <b>8</b> produces the greatest amount of smoothing but also responds slowest to changes in the response reading. A setting of <b>1</b> responds fastest to changes in the response reading but produces the least amount of smoothing.
ZERO SUPPRESSION (2% of full scale)	The zero suppression feature helps prevent "jumpy" readings near the fresh air reading. For example, if the zero suppression setting on the H <sub>2</sub> S channel is <b>2% of full scale</b> , the Beacon 200 will display a reading of 0 ppm for gas readings from -2 ppm to 2 ppm.

## **View System Information Menu**

The View System Information Menu consists of only one display screen which indicates the version number of the firmware that is running the instrument and the system voltage. The system voltage is the voltage that is directly running the instrument's circuitry.

# Chapter 6: Maintenance

---

## Overview

This chapter describes use of the Calibration Program and corrective maintenance procedures for the Beacon 200. It includes a troubleshooting guide for problems you may encounter with the Beacon 200. Procedures to replace components of the Beacon 200 are at the end of this chapter.

---

## Calibration Program

The Calibration Program is used to calibrate the Beacon 200's active channel.

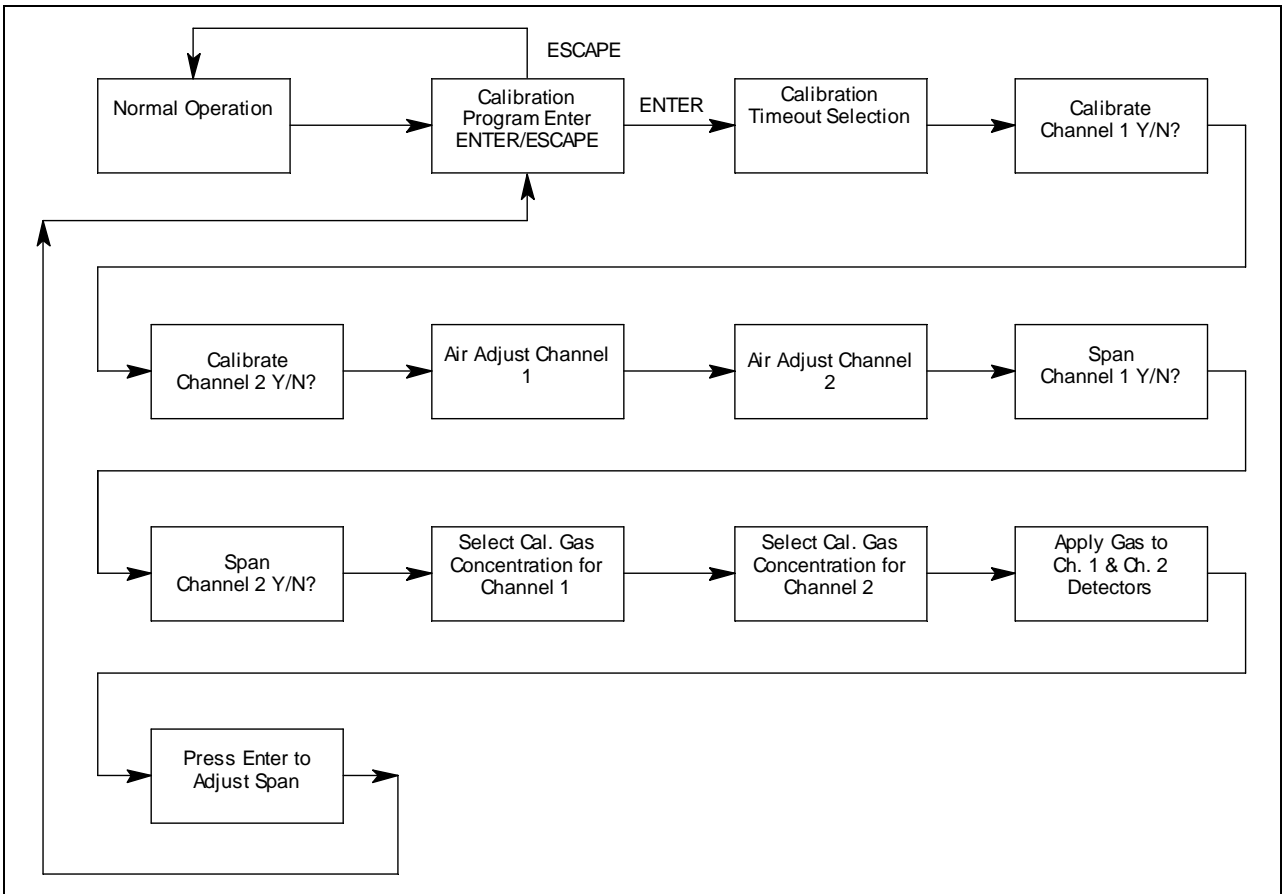
---

**NOTE:** The H<sub>2</sub>S detector must be calibrated with a gas concentration between 10% and 100% of the full scale value (ie. between 10 ppm and 100 ppm H<sub>2</sub>S).

---

### Calibration Program Flow

Figure 13 below illustrates the general flow of the Calibration Program. See the next section, Preparing for Calibration, for instructions to enter the Calibration Program. In general, the program screens provide instructions to guide you through the program. At any point in the calibration program, the ESCAPE key may be used to either return to the previous screen or abort a process.



**Figure 13. Calibration Flow Chart**

**NOTE:** The following procedure assumes that the target gas is present in a high enough concentration to affect the fresh air (zero) reading. If a fresh air environment can be verified, applying zero air to the detector is not necessary when setting the zero reading.

This section describes how to calibrate the H<sub>2</sub>S detectors. It includes procedures to prepare for calibration, set the fresh air reading, set the span reading, and return to normal operation. It describes calibration using a calibration kit that includes calibration gas, sample tubing, and a fixed flow regulator with an on/off knob. RKI Instruments, Inc. recommends using a 0.5 LPM (liters per minute) fixed flow regulator. The calibration cup/splash guard is part of the detector assembly in the Beacon 200.

### Preparing for Calibration

1. Simultaneously press and hold the ENTER and UP/YES buttons for approximately 5 seconds to enter the Calibration Program. Release the buttons when the **CALIBRATION PROGRAM...** message displays and asks if you want to continue or return to normal operation.



---

**NOTE:** While in the Calibration Program, the alarm status of the Beacon 200 will be locked in the state it was when the Calibration Program was entered.

---

2. Press the ENTER button to continue and display the Calibration Time-out setting.

The Beacon 200 will remain in the Calibration Program for the amount of time indicated by the Calibration Time-out setting or until you exit the program. If necessary, adjust the setting using the UP/YES and DOWN/NO buttons. Make sure you have allotted enough time to perform the calibration procedure. Consider the type of detector head installed and the distance from the Beacon 200 when determining the time required.

---

**NOTE:** If you do not accept a Time-out setting and stay at this screen or press ESCAPE and do not press control buttons again, then the Beacon 200 will exit the Calibration Program and begin its warm-up period 5 minutes after the last button was pushed. This warm-up period functions as if the unit were just powered up.

---

3. Press the ENTER button to accept the Time-out setting, start the Time-out period and continue in the Calibration Program.

## Adjusting the Fresh Air Reading

1. The display asks if you want to calibrate channel 1. Press the UP/YES button to continue with calibrating channel 1.

If you press the DOWN/NO button, the display will skip to channel 2.

2. The display will ask if you want to calibrate channel 2. Press the UP/YES button to continue with calibrating channel 2.

If you press the DOWN/NO button, the calibration of channel 1 will continue if you selected it or if you did not select channel 1, the unit will return to the first calibration program screen which asks if you want to continue or escape the program.

3. If you pressed the UP/YES button for either channel, the unit will display the following message for a few seconds before continuing: **Expose Dectector(s) To Fresh Air. . . When Done Press ENTER.** Then the display will alternate between the gas reading for the selected channel(s) and the message **FRESH AIR ENTER to ACCEPT ESCAPE to ABORT** above the time remaining in the calibration Time-out. The following instructions assume you pressed the UP/YES button for both channels.
4. Screw the fixed flow regulator into the zero air calibration cylinder.
5. Use the calibration kit sample tubing to connect the fixed flow regulator to the calibration cup/splash guard of the first detector.
6. Turn the regulator knob counterclockwise to open the regulator.
7. Allow zero air to flow for two minutes.

8. Turn the regulator knob clockwise to close the regulator. The Beacon 200 will continue to display the minimum gas response on the display and retain the response level in its memory.
9. Disconnect the sample tubing from the first detector and connect it to the calibration cup/splash guard hose barb of the second detector.
10. Turn the regulator knob counterclockwise to open the regulator.
11. Allow zero air to flow for two minutes.
12. Turn the regulator knob clockwise to close the regulator. The Beacon 200 will continue to display the minimum gas response on the display and retain the response level in its memory.
13. Press the ENTER button at the Beacon 200. The unit will adjust the zero reading and display the message **Fresh Air Adjust Passed for: Channel 1 Channel 2** before continuing.
14. If you applied zero air to the detector, unscrew the regulator from the zero air calibration cylinder.
15. If you applied zero air to the detectors, leave the sample tubing connected to the regulator and move it from the second detector to the first detector's calibration cup/splash guard.  
  
If you did not apply zero air to the detectors, use the calibration kit sample tubing to connect the fixed flow regulator to the calibration cup/splash guard of the first detector.

---

**NOTE:** If the fresh air adjustment fails, see “Troubleshooting” on page 49 for recommended actions.

---

## Adjusting the Span Setting

1. The display asks if you want to perform a span operation on channel 1 by applying gas. Press the UP/YES button to continue with adjusting the span on channel 1.  
  
If you press the DOWN/NO button, the unit will skip to channel 2.
2. The display asks if you want to perform a span operation on channel 2 by applying gas. Press the UP/YES button to continue with adjusting the span on channel 2.  
  
If you press the DOWN/NO button, the span of channel 1 will continue if you selected it or if you did not select channel 1, the unit will return to the first calibration program screen which asks if you want to continue or escape from the Calibration Program.
3. If you pressed the UP/YES button for either channel, the display will prompt you for the span gas concentration that will be used for the first selected channel. The following instructions assume you pressed UP/YES button for each channel.
4. Adjust the displayed concentration for channel 1 up or down as needed using the UP/YES and DOWN/NO buttons so that it matches the concentration in the calibration cylinder.

---

**NOTE:** The H<sub>2</sub>S detector must be calibrated with a gas concentration between 10% and 100% of the full scale value (ie. between 10 ppm and 100 ppm H<sub>2</sub>S).

---

5. Press the ENTER button to accept the calibration gas concentration for Channel 1 and continue.
6. The display will then prompt you for the span gas concentration that will be used for channel 2. Adjust the displayed concentration up or down as needed using the UP/YES and DOWN/NO buttons so that it matches the concentration in the calibration cylinder.

---

**NOTE:** The H<sub>2</sub>S detector must be calibrated with a gas concentration between 10% and 100% of the full scale value (ie. between 10 ppm and 100 ppm H<sub>2</sub>S).

---

7. Press the ENTER button to accept the calibration gas concentration for Channel 2 and continue.
8. The unit will display the message **Expose Dectector(s) To Gas. . . When Done Press ENTER** for a few seconds. It will then alternate between the gas readings for both channels and the message **APPLYING GAS ENTER to ACCEPT ESCAPE to ABORT** above the time remaining in the calibration time-out.
9. It is important to vent the regulator while installing it onto the H<sub>2</sub>S cylinder. Venting the regulator during installation helps prevent air from getting into the cylinder and degrading the gas. Open the regulator by turning the knob counterclockwise and then install it onto the H<sub>2</sub>S cylinder.
10. Allow calibration gas to flow for one minute.
11. Turn the regulator knob clockwise to close it. The Beacon 200 will continue to display the maximum gas response on the display and retain the response level in its memory.
12. Disconnect the sample tubing from the first detector and connect it to the calibration cup/splash guard hose barb of the second detector.
13. Turn the regulator knob counterclockwise to open the regulator.
14. Allow the calibration gas to flow for one minute.
15. Turn the regulator knob clockwise to close the regulator. The Beacon 200 will continue to display the maximum gas response on the display and retain the response level in its memory.
16. Press the ENTER button at the Beacon 200 to proceed with the calibration adjustment.

If the Beacon 200 is able to successfully make the calibration adjustment, it will display the message **Cal Passed for: Channel 1 Channel 2**. It will then return to the first calibration program screen which asks if you want to continue or escape from the program. Press ESCAPE to return to normal operation.

If the Beacon 200 is not able to make the calibration adjustment, it will display the message **Not Enough Response! CAL Failed for: Channel 1 Channel 2**, then return to the first calibration program screen which asks if you want to continue or escape from the program. Press ENTER to start the calibration process again or ESCAPE to return to normal operation.

17. Unscrew the H<sub>2</sub>S calibration gas cylinder from the fixed flow regulator and disconnect the sample tubing from the calibration cup/splash guard hose barb.

---

**NOTE:** Be sure to allow enough time between the application of calibration gas and returning to normal operation for the gas reading to return to normal levels to avoid false alarms. The alarm circuits are active when the Beacon 200 returns to normal operation.

---

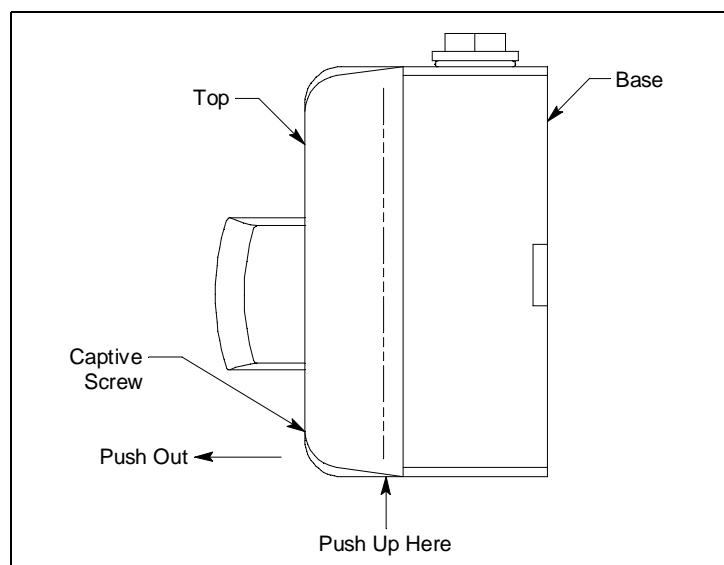
18. Store the components of the calibration kit in a safe place.

---

## Adjusting Strobe/Horn Volume

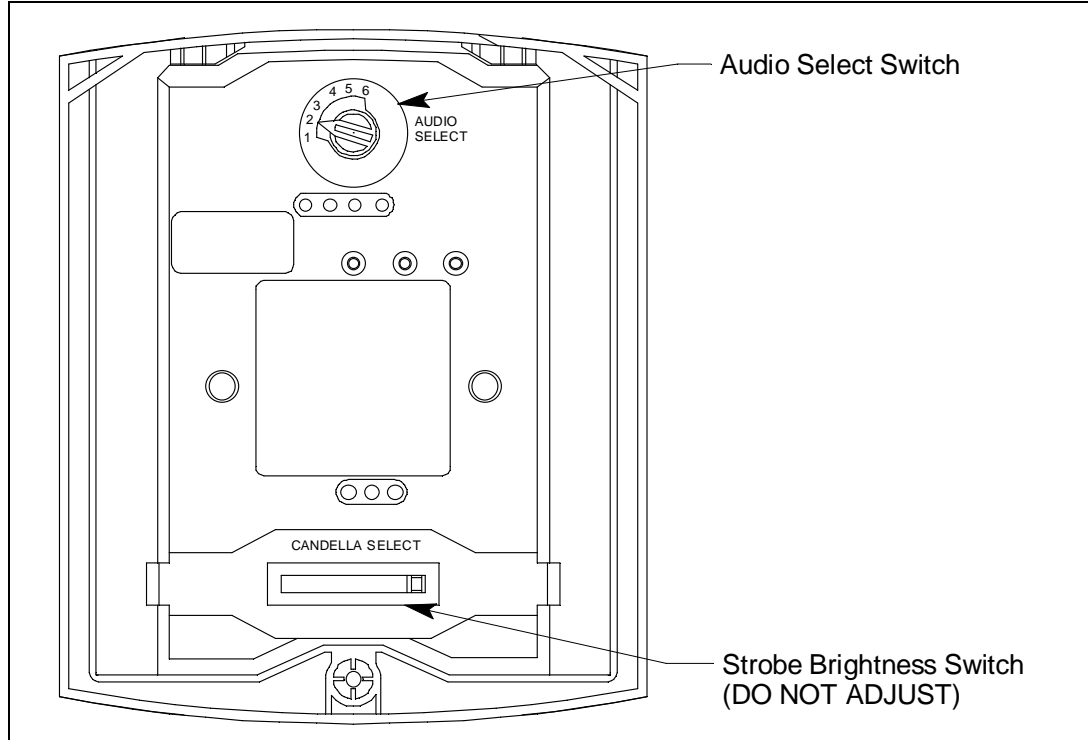
The horn volume on the strobe/horn can be adjusted by doing the following:

1. Turn off or unplug all incoming power to the Beacon 200 at the power source end.
2. Open the housing door of the Beacon 200, then place the power switch in the OFF position.
3. Loosen the captive screw at the bottom front of the strobe/horn.
4. Grasp the top and bottom of the strobe/horn and push up and out in order to remove the cover.



**Figure 14. Top Case Removal**

5. Turn the cover over and locate the Audio Select switch at the top of the cover as shown in the figure below.



**Figure 15. Strobe/Horn Cover**

6. The Audio Select switch can be set at any number between 1 and 6. Numbers 1-3 all produce an intermittent buzzing sound with 1 being the loudest and 3 being the quietest. Numbers 4-6 all produce a steady buzzing sound with 4 being the loudest and 6 being the quietest. The factory setting is 2.
7. Turn the Audio Select switch so that the selection arrow is pointing to the desired number.
8. Place the cover over the base and push in and down in order to reinstall the cover. Make sure that the cover is sealed to the base by the gasket.
9. Screw the captive screw at the bottom front of the strobe/horn back in.

---

## Replacing Components of the Beacon 200

This section describes how to replace the fuses, the plug-in H<sub>2</sub>S sensor, and the entire H<sub>2</sub>S detector.

### Replacing the Fuses

The Beacon 200 includes three fuses: one DC and two AC fuses.

1. Turn off or unplug all incoming power to the Beacon 200 at the power source end.
2. Open the housing door of the Beacon 200, then place the power switch in the OFF position.
3. Locate the vertical fuse holders on either side of the power switch.  
The DC fuse which is labelled F1 on the PCB silk-screen is on the left of the power switch. The AC fuses are labelled F2 and F3 and are on the right of the power switch.
4. Use a flat-blade screwdriver to rotate the applicable fuse holder 1/4 turn counterclockwise. The fuse holder releases from the socket.
5. Remove the fuse holder from the socket, then remove the fuse from the fuse holder.

---

**CAUTION:** *Verify that the replacement fuse is the same type and rating as the fuse you are replacing.*

---

6. Install the appropriate replacement fuse in the fuse holder, then place the fuse holder in the socket.
7. Push the fuse holder into the socket, then turn the holder 1/4 turn clockwise to secure it in the socket.
8. Plug in or turn on all incoming power to the Beacon 200 at the power source end.
9. Place the Beacon 200's power switch in the ON position, then verify that the PILOT light is on.
10. Close and secure the housing door.

### Replacing the Plug-In H<sub>2</sub>S Sensor

1. Turn off or unplug all incoming power to the Beacon 200 at the power source end.
2. Open the housing door of the Beacon 200, then place the power switch in the OFF position.
3. Unscrew the calibration cup/splash guard from the detector.
4. Unscrew the detector housing cap from the housing body. Make sure not to lose the cap gasket. See Figure 3 for an illustration of the H<sub>2</sub>S detector.

5. Unplug and remove the sensor with the rubber boot and spacer attached.
6. Remove the rubber boot and spacer from the old sensor.
7. Install the spacer and rubber boot onto the replacement sensor's face.
8. Carefully match the replacement sensor's male pins with the 4-socket pattern in the top section and plug it in.
9. Make sure the cap gasket is in place and screw the detector housing cap back onto the housing body.
10. Screw the calibration cup/splash guard back onto the detector housing cap.
11. Plug in or turn on all incoming power to the Beacon 200 at the power source end.
12. Place the Beacon 200's power switch in the ON position, then verify that the PILOT light is on.

---

**CAUTION:** *Allow the replacement sensor to warm up for 15 minutes before you continue with the next step.*

---

13. Calibrate the detector as described in "Calibration Program" on page 39.

## **Replacing the H<sub>2</sub>S Detector**

---

**NOTE:** In most cases, it is only necessary to replace the H<sub>2</sub>S sensor.

---

1. Turn off or unplug all incoming power to the Beacon 200 at the power source end.
2. Open the housing door of the Beacon 200, then place the power switch in the OFF position.
3. Remove the H<sub>2</sub>S detector junction box cover.
4. Disconnect the detector leads from the terminal block in the junction box. Note the position of the color-coded leads as you remove them.
5. Unscrew the calibration cup/splash guard from the detector housing cap.
6. Unscrew the detector from the junction box hub.
7. Guide the detector leads of the replacement detector through the junction box hub then screw the mounting threads of the detector into the hub.
8. Connect the detector leads to the terminal block the same way the old detector was wired. See Figure 8 to verify the connections are correct.
9. Screw the calibration cup/splash guard onto the new detector's housing cap.
10. Reinstall the junction box cover.
11. Plug in or turn on all incoming power to the Beacon 200 at the power source end.

12. Place the Beacon 200's power switch in the ON position, then verify that the PILOT light is on.

---

**CAUTION:** *Allow the replacement detector to warm up for 5 minutes before you continue with the next step.*

---

13. Calibrate the replacement detector as described in the Calibration section of this manual.

---

## Preventive Maintenance

This section describes a preventive maintenance schedule to ensure the optimum performance of the H<sub>2</sub>S detectors. It includes daily and quarterly procedures.

### Daily

Verify a display reading of 0 PPM H<sub>2</sub>S at the controller. Investigate significant changes in the display reading.

### Quarterly

Calibrate the H<sub>2</sub>S detector as described in the Calibration section of this manual.



# Troubleshooting

The troubleshooting guide describes symptoms, probable causes, and recommended action for problems you may encounter with the Beacon 200.

**Table 9: Troubleshooting the Beacon 200**

Condition	Symptom(s)	Probable Causes	Recommended Action
No Power	<ul style="list-style-type: none"> <li>The PILOT light is off.</li> <li>The display screens are blank.</li> </ul>	<ul style="list-style-type: none"> <li>The power wiring is disconnected or misconnected.</li> <li>One or both AC fuses or the DC fuse is blown.</li> <li>The display cable is disconnected or misconnected.</li> </ul>	<ol style="list-style-type: none"> <li>Verify that the wiring to the power source is correct and secure.</li> <li>At the Beacon 200, verify that the wiring to the DC terminals is correct and secure.</li> <li>Check the continuity of the applicable (AC or DC) fuse.</li> <li>Verify that the display cable is connected. The display (ribbon) cable plugs into connectors on the top edge of the display board (labeled <b>J1</b>) and on the top edge of the main circuit board (also labelled <b>J1</b>).</li> <li>If the power difficulties continue, contact RKI for further instruction.</li> </ol>
Frequent or Suspect Alarms	<ul style="list-style-type: none"> <li>The Beacon 200 alerts you to frequent or suspect alarms.</li> <li>The detector head's fresh air readings remain on zero.</li> </ul>	<ul style="list-style-type: none"> <li>The Beacon 200 is experiencing false readings due to RFI or EMI.</li> <li>The detector head wiring is disconnected, misconnected, or intermittent.</li> </ul>	<ol style="list-style-type: none"> <li>Verify that the detector head wiring is properly shielded.</li> <li>Verify that the detector head wiring is correct and secure.</li> <li>Verify that power and detector head wiring is routed through separate conduit hubs on the bottom of the Beacon 200 housing.</li> <li>Increase the alarm on delay setting in the Channel Control &amp; Setup Program.</li> <li>If the frequent or suspect alarm difficulties continue, contact RKI for further instruction.</li> </ol>
Flickering Display	<ul style="list-style-type: none"> <li>The display readings flicker often.</li> </ul>	<ul style="list-style-type: none"> <li>The Beacon 200 is experiencing false readings due to RFI or EMI.</li> <li>The noise filter setting is too low.</li> <li>The zero suppression setting is too low.</li> <li>The display screen is malfunctioning.</li> </ul>	<ol style="list-style-type: none"> <li>Verify that the detector head wiring is properly shielded.</li> <li>Verify that the detector head wiring is correct and secure.</li> <li>Verify that power and detector head wiring is routed through separate conduit hubs on the bottom of the Beacon 200 housing.</li> <li>Increase the noise filter setting in the Channel Control &amp; Setup Program.</li> <li>Increase the zero suppression setting in the Channel Control &amp; Setup Program.</li> <li>If the display difficulties continue, contact RKI for further instruction.</li> </ol>

**Table 9: Troubleshooting the Beacon 200 (Continued)**

Condition	Symptom(s)	Probable Causes	Recommended Action
Buzzer Not Working	<ul style="list-style-type: none"> <li>• The buzzer does not sound an audible alarm during alarm conditions.</li> <li>• The buzzer sounds weak or broken.</li> </ul>	<ul style="list-style-type: none"> <li>• The buzzer is disconnected or misconnected.</li> <li>• The buzzer is malfunctioning.</li> </ul>	<ol style="list-style-type: none"> <li>1. Verify that the wiring to the <b>BUZ-</b> and <b>BUZ+</b> terminals of the controller terminal strip is correct and secure.</li> <li>2. If the buzzer difficulties continue, contact RKI for further instruction.</li> </ol>
Reset Switch Not Working	<ul style="list-style-type: none"> <li>• The buzzer does not silence when you press the reset switch.</li> <li>• The applicable alarm circuit does not reset when you press the reset switch after an alarm condition passes.</li> </ul>	<ul style="list-style-type: none"> <li>• The reset switch is disconnected or misconnected.</li> <li>• The reset switch is malfunctioning.</li> </ul>	<ol style="list-style-type: none"> <li>1. Verify that the wiring to the <b>RESET</b> (2) terminals of the controller terminal strip is correct and secure.</li> <li>2. If the reset switch difficulties continue, contact RKI for further instruction.</li> </ol>
Strobe/Horn Not Working	<ul style="list-style-type: none"> <li>• The strobe/horn does not activate when an alarm 1 condition occurs.</li> </ul>	<ul style="list-style-type: none"> <li>• The strobe/horn is malfunctioning.</li> <li>• The strobe/horn wiring is disconnected or misconnected.</li> </ul>	<ol style="list-style-type: none"> <li>1. Verify that the strobe/horn is wired properly to the alarm terminal strip.</li> <li>2. If the strobe/horn difficulties continue, contact RKI for further instruction.</li> </ol>
Fail Condition	<ul style="list-style-type: none"> <li>• Beacon 200 indicates a fail condition.</li> <li>• Controller indicates a fail condition.</li> </ul>	<ul style="list-style-type: none"> <li>• The detector wiring to the main PCB is disconnected or misconnected.</li> <li>• The plug-in H<sub>2</sub>S sensor is not properly plugged into the sockets in the detector housing body.</li> <li>• The detector fresh air signal is low enough to cause a fail condition.</li> <li>• The detector is malfunctioning.</li> <li>• The main or display PCB is malfunctioning.</li> </ul>	<ol style="list-style-type: none"> <li>1. Verify that the detector wiring is correct and secure.</li> <li>2. Confirm that the plug-in H<sub>2</sub>S sensor is installed properly.</li> <li>3. Calibrate the Beacon 200.</li> <li>4. If the fail condition continues, replace the detector.</li> <li>5. If the fail condition continues, contact RKI for further instruction.</li> </ol>

**Table 9: Troubleshooting the Beacon 200 (Continued)**

Condition	Symptom(s)	Probable Causes	Recommended Action
<p>Slow or No Response/ Difficult or Unable to Calibrate</p>	<ul style="list-style-type: none"> <li>• Unable to successfully set the fresh air or span reading during calibration.</li> <li>• Beacon 200 requires frequent calibration.</li> </ul> <p><i>Note: Under "normal" circumstances, the detector requires calibration once every 3 months. Some applications may require a more frequent calibration schedule.</i></p>	<ul style="list-style-type: none"> <li>• The calibration cylinder is low, out-dated, or defective.</li> <li>• The flame arrestor in the H<sub>2</sub>S detector housing cap is wet or clogged with dirt or other particulates.</li> <li>• The detector is malfunctioning.</li> <li>• The main PCB is malfunctioning.</li> </ul>	<ol style="list-style-type: none"> <li>1. Verify that the calibration cylinder contains an adequate supply of a fresh test sample.</li> <li>2. Verify that the calibration gas concentration is appropriate for the detector. Zero emission air (0 ppm H<sub>2</sub>S) is normally used for a zero adjustment if the environment is suspect and 25 ppm H<sub>2</sub>S in nitrogen is normally used for a response adjustment.</li> <li>3. Check the H<sub>2</sub>S detector housing cap to determine if the flame arrestor is wet or dirty. Clean if necessary.</li> <li>4. If the calibration/response difficulties continue, replace the detector.</li> <li>5. If the calibration/response difficulties continue, contact RKI for further instruction.</li> </ol>

## Parts List

Table 10 lists the part numbers and descriptions for replacement parts and accessories offered for the Beacon 200.

**Table 10: Parts List, 72-2102-07 Beacon 200**

<b>Part No.</b>	<b>Description</b>
06-1248RK-03	Sample tubing for calibration, 3 foot length
07-0033RK	Detector housing cap gasket for H <sub>2</sub> S detector
07-0203RK	Rubber retaining boot for H <sub>2</sub> S sensor
14-2101RK	Spacer between H <sub>2</sub> S sensor and rubber boot
18-0061RK	Cable bushing
18-0107RK	Conduit hub (3/4 in.)
18-0400RK-01	Junction box with rubber spacers
43-0440RK	Reset switch
43-4165RK	AC fuse, 1/4" x 1 1/4", fast acting, 3A, 250 V
43-4170RK	DC fuse, 1/4" x 1 1/4", fast acting, 6A
51-0096RK	Strobe/horn, 10-33 VDC, NEMA 4X
52-1016RK	Buzzer
65-2428	H <sub>2</sub> S detector (with plug-in sensor)
71-0364	72-2102-07 Beacon 200 Operator's Manual (this document)
81-0076RK	Zero air calibration cylinder, 17 liter
81-0076RK-01	Zero air calibration cylinder, 34 liter steel
81-0076RK-03	Zero air calibration cylinder, 103 liter
81-0151RK-02	Calibration cylinder, 25 ppm H <sub>2</sub> S in nitrogen, 58 liter
81-0151RK-04	Calibration cylinder, 25 ppm H <sub>2</sub> S in nitrogen, 34 liter aluminum
81-1050RK	Regulator with gauge and knob, 0.5 LPM, for 17 liter and 34 liter steel calibration cylinders (cylinders with external threads)
81-1051RK	Regulator with gauge and knob, 0.5 LPM, for 34 liter aluminum, 58 liter, and 103 liter calibration cylinders (cylinders with internal threads)
81-1116RK	Calibration cup/splash guard for H <sub>2</sub> S detector
ES-1537-H2S	H <sub>2</sub> S replacement sensor