

# Manual Supplement- Stainless Steel Junction Box for M2A

Document Part Number: 71-0460

Revision: P1

Released: 7/26/18

The attached M2A Operator's Manual can be used for stainless steel versions of the M2A. All specifications and operational description in the M2A manual apply to the stainless steel versions of the M2A with the exception of:

- Junction box description: The junction box is stainless steel, not aluminum.
- M2A part numbers: Stainless steel M2A part numbers have an "SS" added onto the end of the M2A part numbers referenced in the M2A manual. When looking in the M2A manual for information on your stainless steel assembly, remove the "SS" from your part number. For example, if you have a 65-2640RK-05SS M2A, look for references to 65-2640RK-05 in the M2A manual.
- Outline and mounting drawings: See the figures below for stainless steel M2A outline and mounting drawings.
- Junction box part number: Use 18-0437-01 when ordering a replacement junction box.

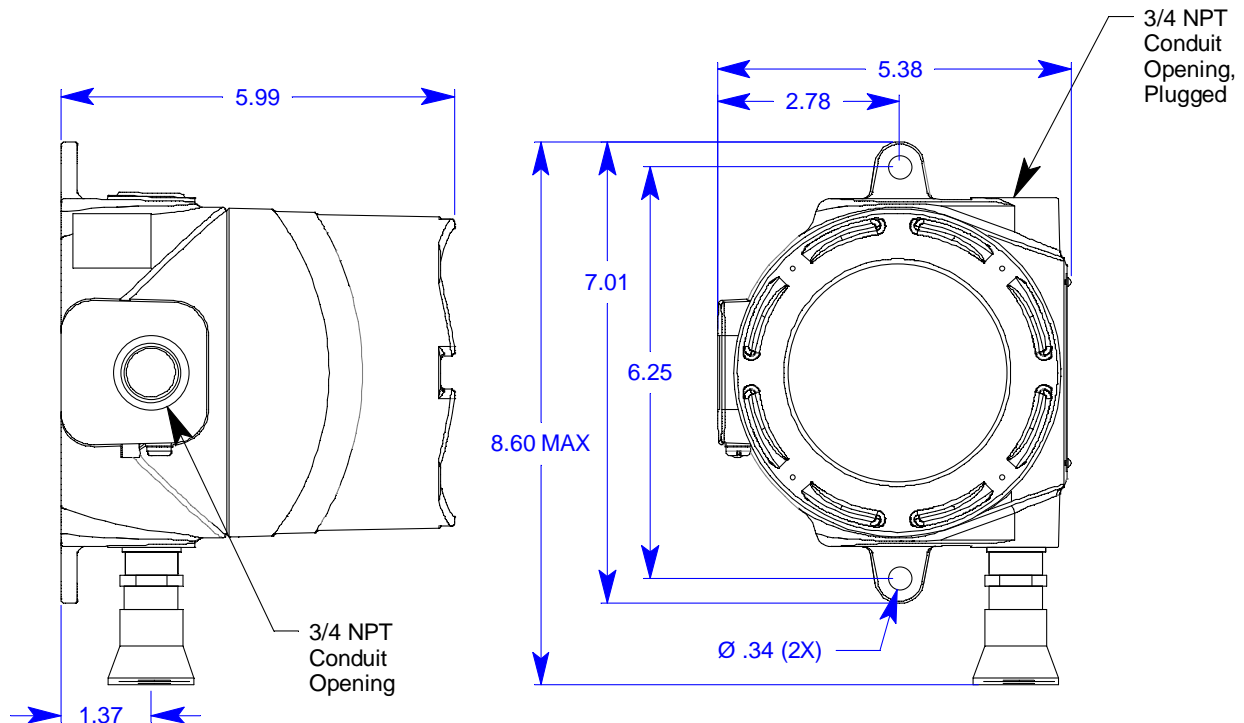
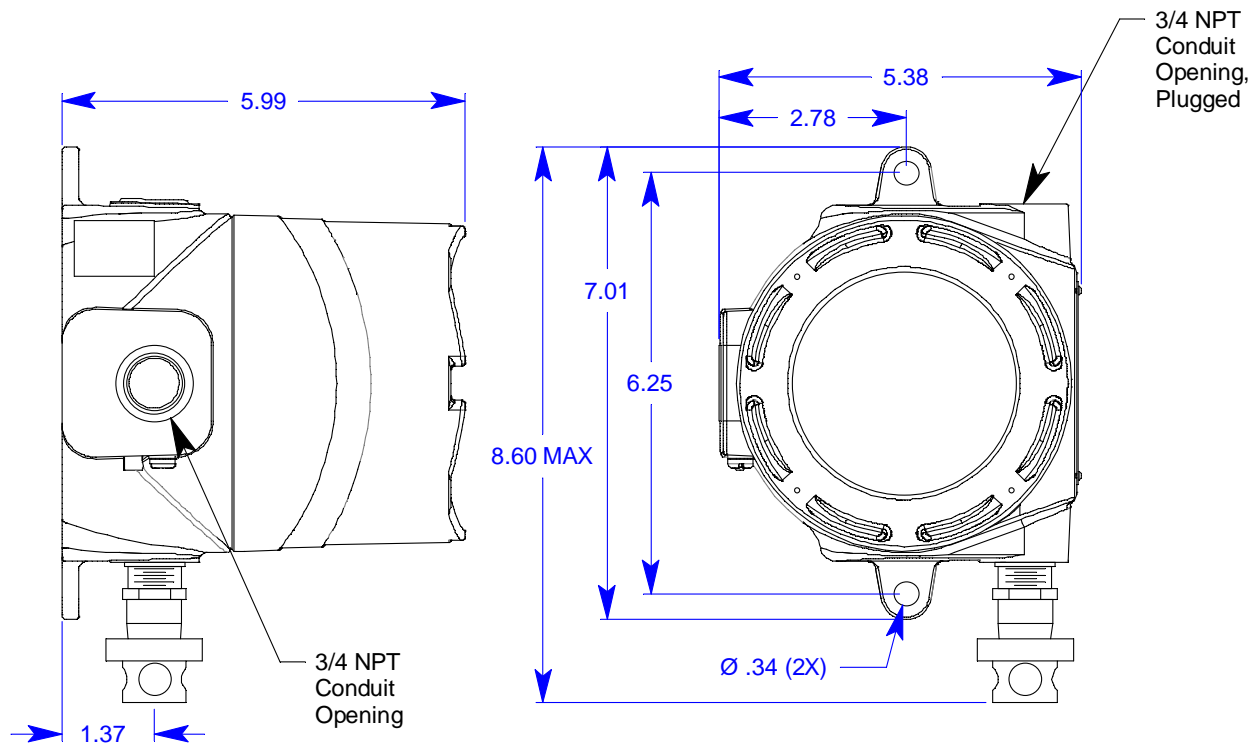
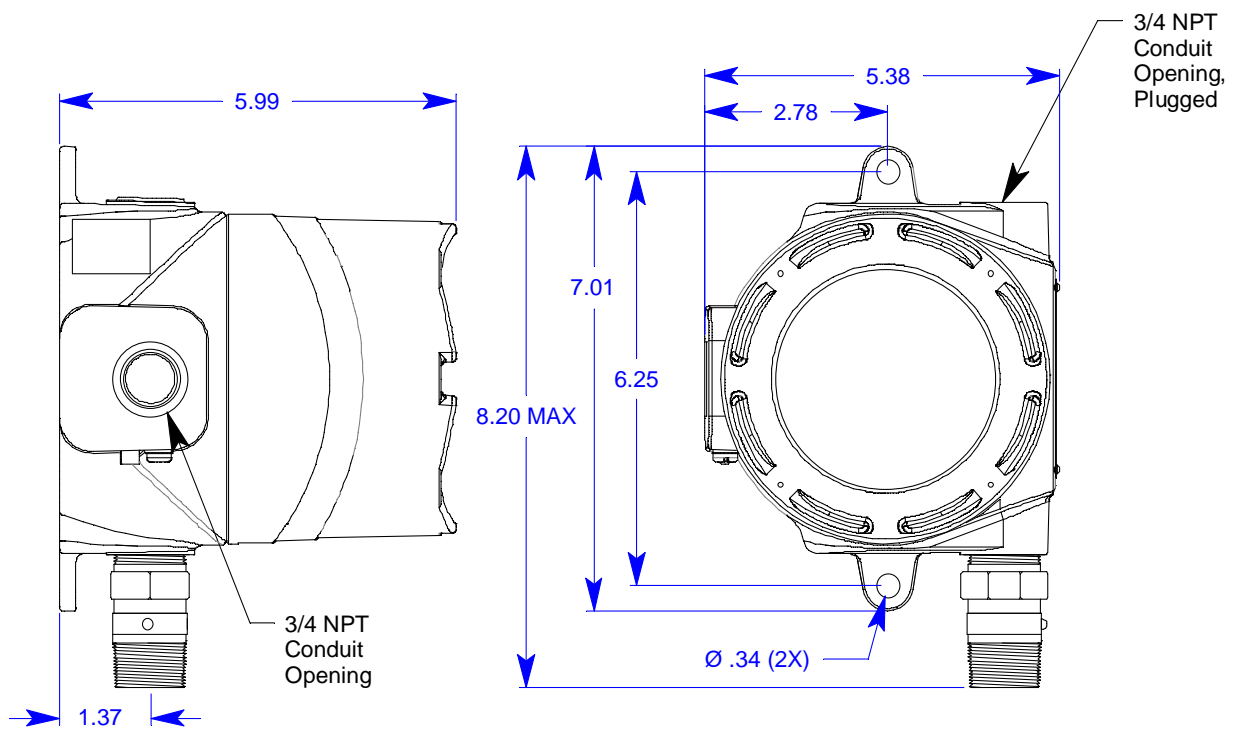


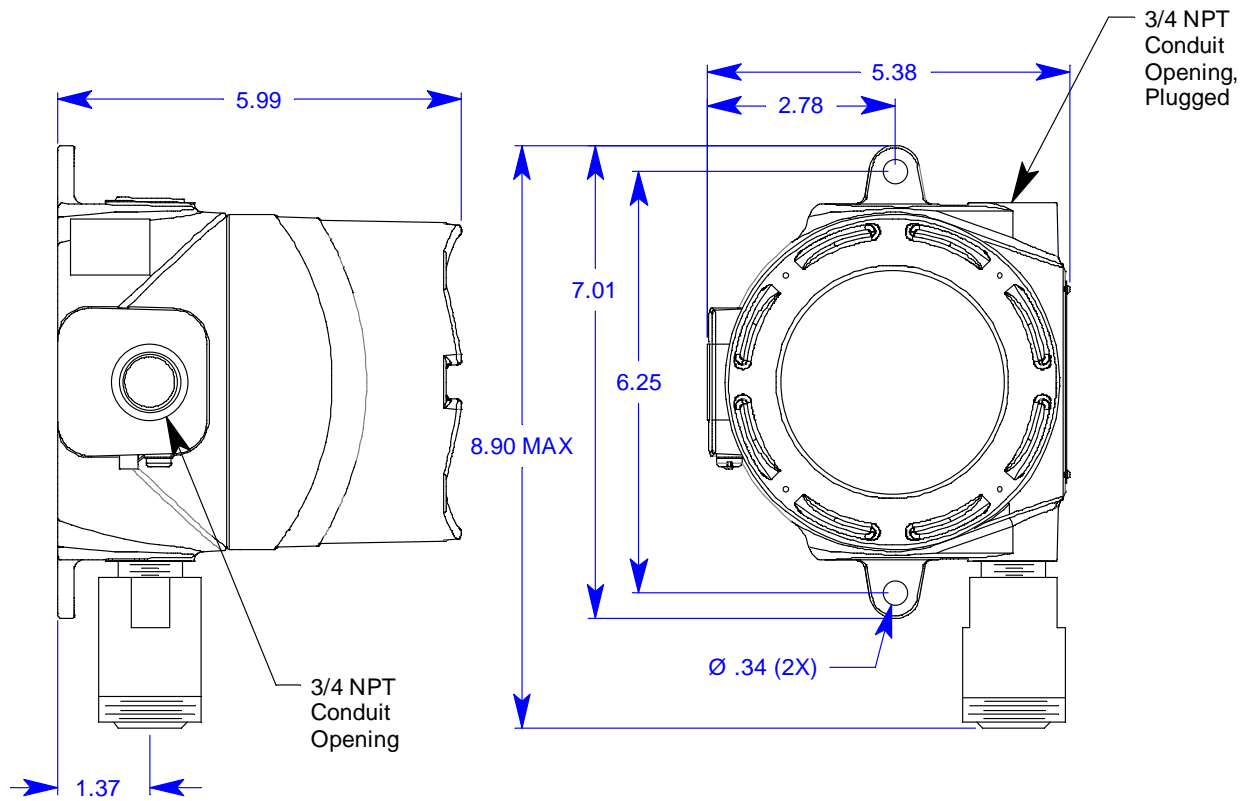
Figure 1: Outline & Mounting Dimensions, Stainless Steel, Catalytic LEL and ppm, UL Version



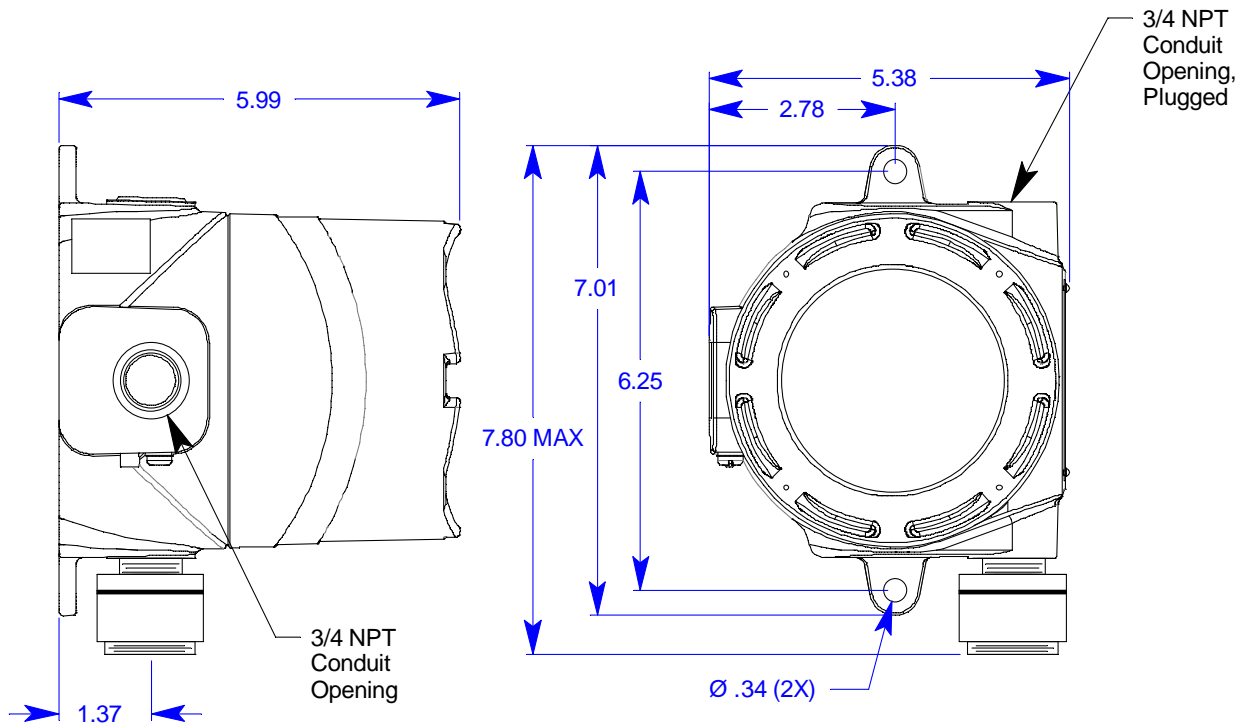
**Figure 2: Outline & Mounting Dimensions, Stainless Steel, Catalytic LEL and ppm, CSA Version**



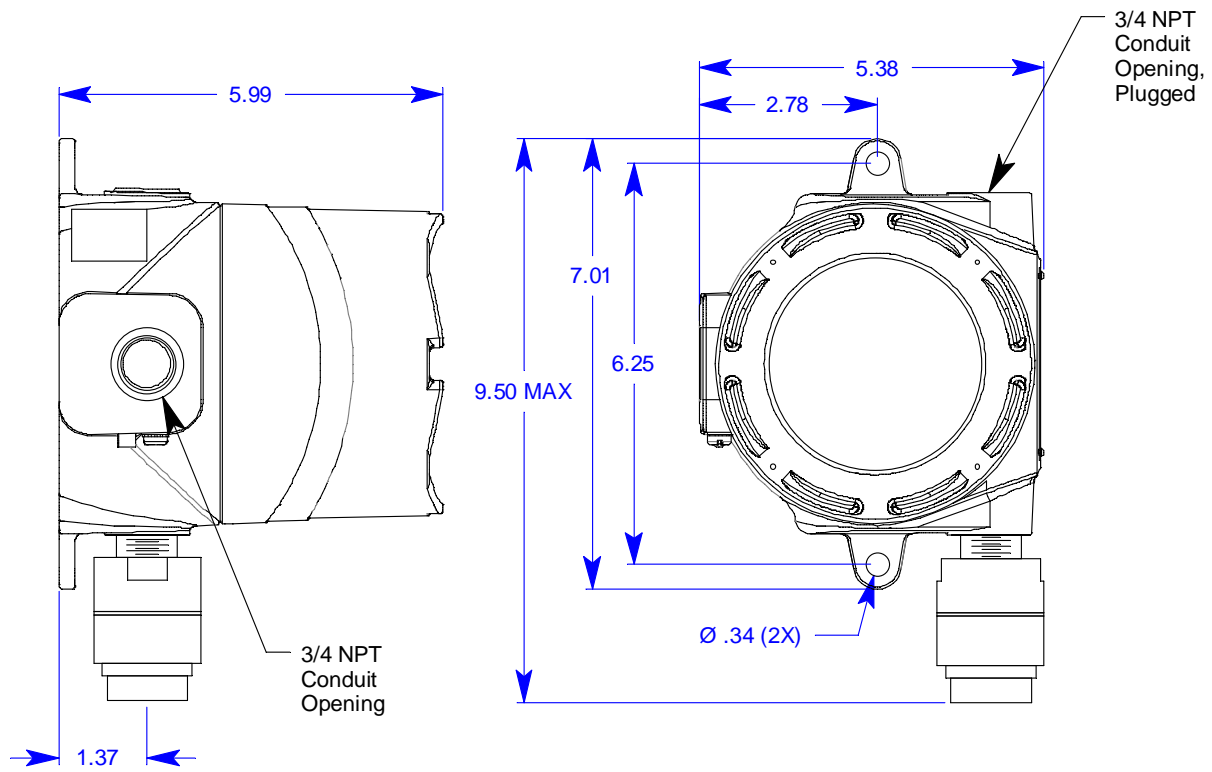
**Figure 3: Outline & Mounting Dimensions, Stainless Steel, IR Combustible & CO<sub>2</sub>**



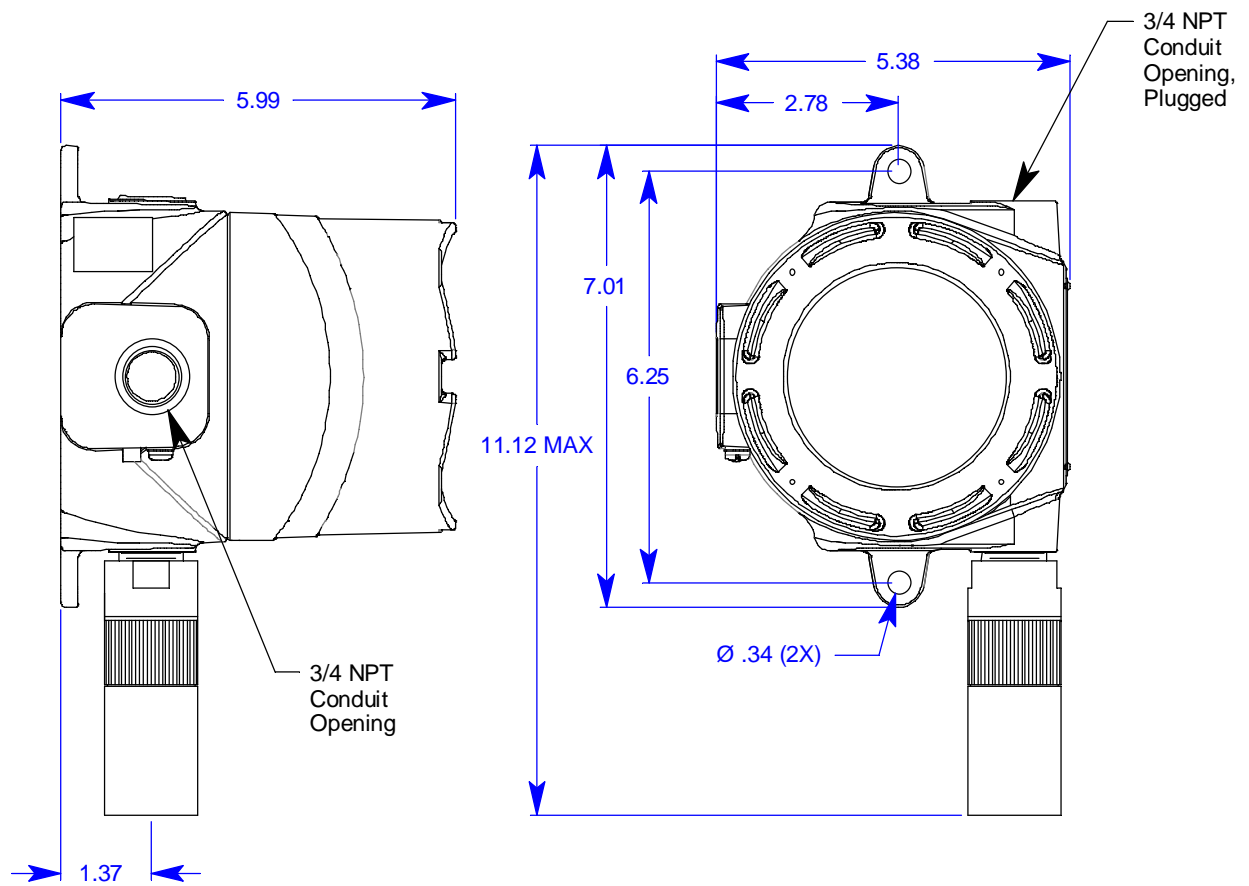
**Figure 4: Outline & Mounting Dimensions, Stainless Steel, Oxygen, Partial Pressure Type**



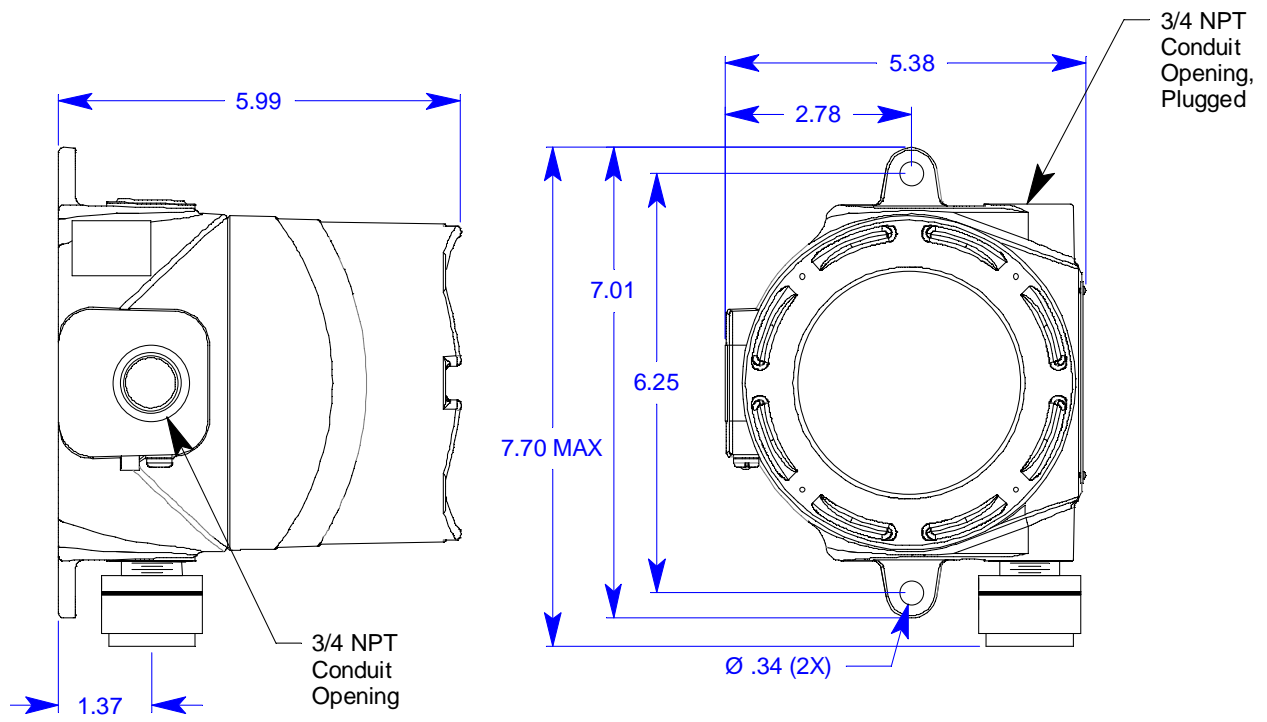
**Figure 5: Outline & Mounting Dimensions, Stainless Steel, Replaceable Sensor, H<sub>2</sub>S, CO, and Oxygen, Non Explosion Proof**



**Figure 6: Outline & Mounting Dimensions, Stainless Steel, H<sub>2</sub>S, CO, and Oxygen, CSA, Explosion-Proof**



**Figure 7: Outline & Mounting Dimensions, Stainless Steel, ESM-01 Toxic**



**Figure 8: Outline and Mounting Dimensions, Stainless Steel, CT-7 Series**