



**INSTRUMENTS**

# **35-3010RKA-06 Sample-Draw Detector**

*Part Number: 71-0207RK*

*Revision: E*

*Released: 6/5/17*

## **WARNING**

Read and understand this instruction manual before operating detector. Improper use of the detector could result in bodily harm or death.

Periodic calibration and maintenance of the detector is essential for proper operation and correct readings. Please calibrate and maintain this detector regularly! Frequency of calibration depends upon the type of use you have and the sensor types. Typical calibration frequencies for most applications are between 3 and 6 months, but can be required more often or less often based on your usage.

---

## Product Warranty

RKI Instruments, Inc. warrants gas alarm equipment sold by us to be free from defects in materials, workmanship, and performance for a period of one year from date of shipment from RKI Instruments, Inc. Any parts found defective within that period will be repaired or replaced, at our option, free of charge. This warranty does not apply to those items which by their nature are subject to deterioration or consumption in normal service, and which must be cleaned, repaired, or replaced on a routine basis. Examples of such items are:

- a) Absorbent cartridges
- b) Pump diaphragms and valves
- c) Fuses
- d) Batteries
- e) Filter elements

Warranty is voided by abuse including mechanical damage, alteration, rough handling, or repair procedures not in accordance with the operator's manual. This warranty indicates the full extent of our liability, and we are not responsible for removal or replacement costs, local repair costs, transportation costs, or contingent expenses incurred without our prior approval.

*THIS WARRANTY IS EXPRESSLY IN LIEU OF ANY AND ALL OTHER WARRANTIES AND REPRESENTATIONS, EXPRESSED OR IMPLIED, AND ALL OTHER OBLIGATIONS OR LIABILITIES ON THE PART OF RKI INSTRUMENTS, INC. INCLUDING BUT NOT LIMITED TO, THE WARRANTY OF MERCHANTABILITY OR FITNESS FOR A PARTICULAR PURPOSE. IN NO EVENT SHALL RKI INSTRUMENTS, INC. BE LIABLE FOR INDIRECT, INCIDENTAL, OR CONSEQUENTIAL LOSS OR DAMAGE OF ANY KIND CONNECTED WITH THE USE OF ITS PRODUCTS OR FAILURE OF ITS PRODUCTS TO FUNCTION OR OPERATE PROPERLY.*

This warranty covers instruments and parts sold to users by authorized distributors, dealers, and representatives as appointed by RKI Instruments, Inc.

We do not assume indemnification for any accident or damage caused by the operation of this gas monitor, and our warranty is limited to the replacement of parts or our complete goods.

---

## Table of Contents

<b>Overview</b> .....	<b>1</b>
<b>Specifications</b> .....	<b>1</b>
<b>Description</b> .....	<b>2</b>
Housing .....	2
Flow System .....	3
Detection System .....	5
<b>Installation</b> .....	<b>9</b>
Mounting the Sample-Draw Detector .....	9
Connecting the Sample Lines to the Sample-Draw Detector .....	10
Wiring the Sample-Draw Detector to a Controller .....	10
<b>Start Up</b> .....	<b>13</b>
Introducing Incoming Power .....	13
Setting the Zero Reading .....	13
<b>Operation</b> .....	<b>14</b>
Normal Operation .....	14
Low Flow Alarm .....	14
<b>Maintenance</b> .....	<b>14</b>
Preventive Maintenance .....	14
Troubleshooting .....	15
Replacing Components of the Sample-Draw Detector .....	17
Adjusting the Low Flow Setting .....	18
<b>Calibration Frequency</b> .....	<b>18</b>
<b>Calibration</b> .....	<b>19</b>
Preparing for Calibration .....	19
Setting the Zero Reading .....	19
Setting the Response Reading .....	20
Returning to Normal Operation .....	20
<b>Parts List</b> .....	<b>21</b>

---

## Overview

This manual describes the 35-3010RKA-06 sample-draw detector. This manual also describes how to install, start up, maintain, and calibrate the detector. A parts list at the end of this manual lists replacement parts and accessories for the sample-draw detector.

---

## Specifications

Table 1 lists specifications for the 35-3010RKA-06.

**Table 1: Specifications**

Target Gases & Detection Ranges	Combustible Gas: 0 - 100% LEL Hydrogen Sulfide (H <sub>2</sub> S): 0 - 100 ppm
Input Power	24 VDC
Current Draw	240 mA
Output Signals	4-20 mA each channel
Construction (housing)	Fiberglass/polyester (NEMA 4X)
Dimensions	15.44 in. H x 12.55 in. W x 8.31 in. D
Weight	14 lbs.
Sampling Method	Sample-draw
Sample Flow	1.2 SCFH (nominal)
Response Time	90% in 30 seconds
Accuracy	<u>Combustible Gas:</u> ± 5% of reading or ± 2% LEL (whichever is greater) <u>Hydrogen Sulfide (H<sub>2</sub>S):</u> ± 5% of reading or ± 2 ppm H <sub>2</sub> S (whichever is greater)

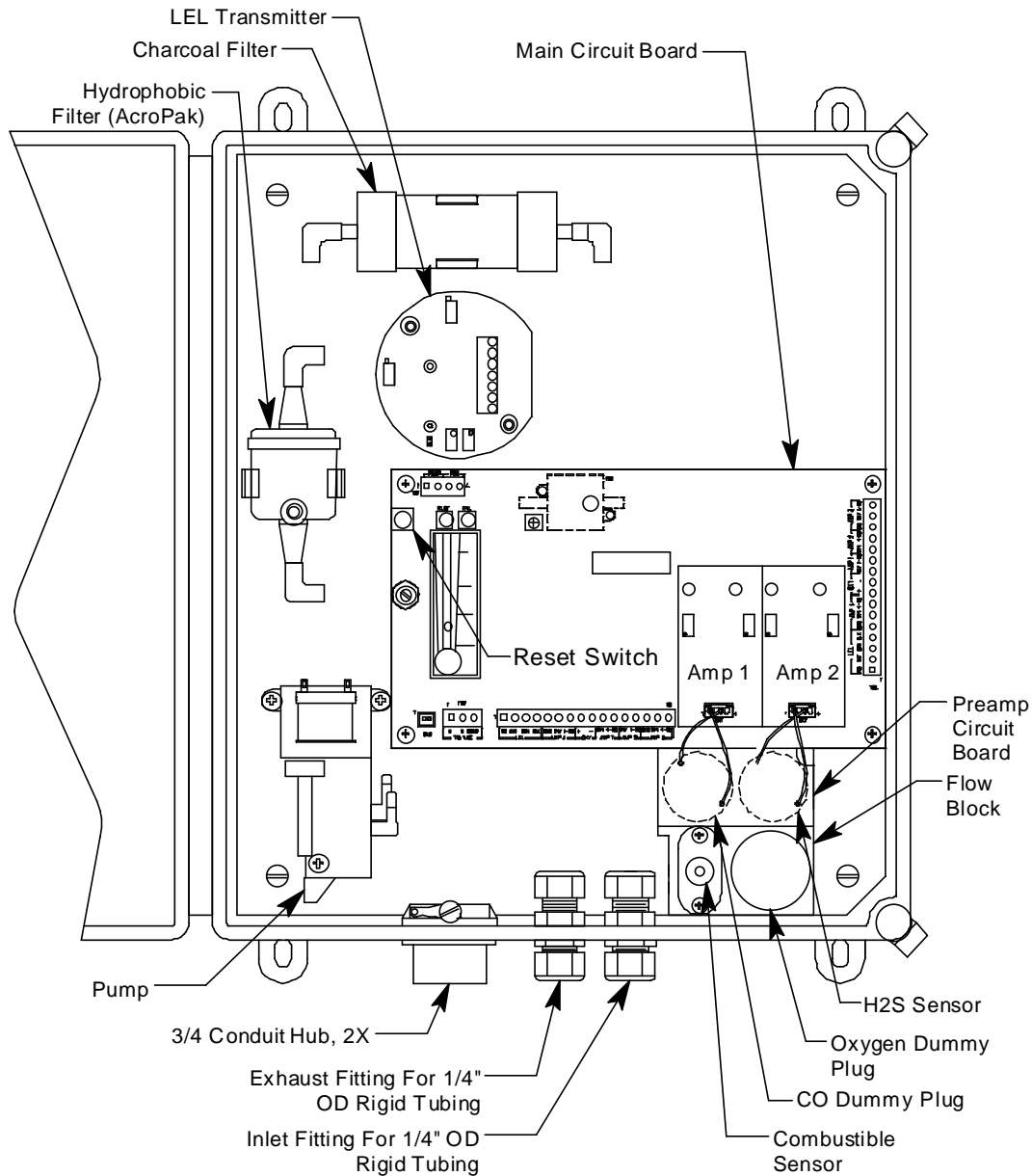
---

**WARNING:** *When using the 35-3010RKA-06, you must follow the instructions and warnings in this manual to assure proper and safe operation of the 35-3010RKA-06 and to minimize the risk of personal injury. Be sure to maintain and periodically calibrate the 35-3010RKA-06 as described in this manual.*

---

## Description

This section describes the components of the 35-3010RKA-06 sample-draw detector. The sample-draw detector consists of the housing, flow system, and detection system.



**Figure 1: Sample-Draw Detector Component Location**

### Housing

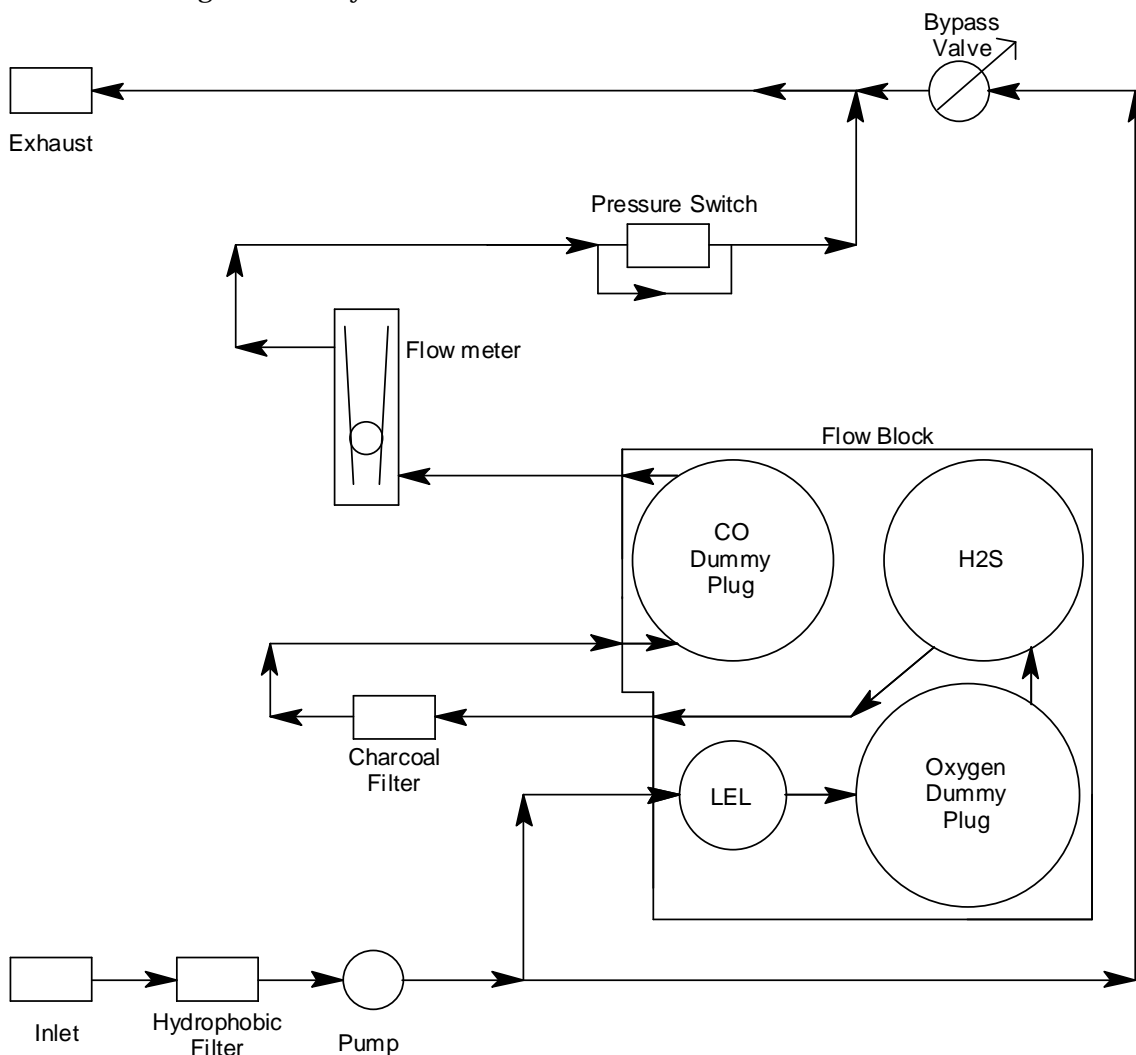
The sample-draw detector's fiberglass housing is weather- and corrosion-resistant. It is suitable for installation where general purpose equipment is in use. The housing door is hinged on the left side and is secured by two latches on the right side.

Four mounting feet are attached to the back of the housing (one at each corner). Use the mounting feet to install the housing to a vertical surface. Use the two conduit hubs on the bottom of the housing to make wiring connections.

An aluminum subpanel is mounted to the interior of the housing. The sample-draw detector's internal components are mounted to the subpanel.

### Flow System

The sample-draw detector's flow system consists of the INLET fitting, hydrophobic filter, charcoal filter, pump, flowmeter, bypass valve, status lights, pressure switch, flow block, and EXHAUST fitting (see Figure 1). Figure 2 illustrates how the gas sample moves through the flow system.



**Figure 2: Sample-Draw Detector Flow Diagram**

#### ***INLET Fitting***

The INLET fitting on the bottom of the housing allows the gas sample to enter the sample-draw detector. The INLET fitting accepts 1/4 in. rigid tubing. See "Installation" on page 9 for instructions to connect tubing to the INLET fitting.

#### ***Hydrophobic Filter***

The hydrophobic filter is to the left of the main circuit board. It is held in place by a metal clip. It prevents water and other liquids from contaminating the flow system. Replace the filter when it appears dirty, discolored, or clogged. If a liquid other than water is drawn into the filter, replace the filter as soon as possible.

### ***Charcoal Filter***

The charcoal filter is located in the top left corner of the enclosure. It is held in place by a metal clip. The charcoal filter is placed after the H<sub>2</sub>S sensor and before the CO sensor (if one is installed) in the flow system. It scrubs out interfering gases which may cause the CO sensor to respond, such as H<sub>2</sub>S or certain hydrocarbons. It is included in this version of the sample draw detector in case a CO sensor is added in the field. If a CO sensor is added in the field, a new charcoal filter should also be installed.

### ***Pump***

The pump is located to the left of the main circuit board near the bottom left of the sample-draw detector. The pump pulls the gas sample into the sample-draw detector. The pump operates on 24 VAC, which is generated from the 24 VDC supplied to the sample draw detector.

### ***Flowmeter***

The flowmeter is attached to the main circuit board near the top left corner (see Figure 4). A ball in the flowmeter column indicates the flow rate to the sensors. The flowmeter measures the flow in the range 0.2 to 2.0 SCFH (Standard Cubic Feet per Hour). Although the sample-draw detector will operate down to a flow of 0.6 SCFH, the optimum flow rate is 1.2 SCFH.

### ***Bypass Valve***

The bypass valve is to the left of the flowmeter. The bypass valve adjusts the flow rate to the sensors. Use a flat-blade screwdriver to adjust the bypass valve.

---

**NOTE:** The bypass valve allows fine adjustments of the flow rate. For a wider range of adjustment, use the flow adjust potentiometer (see Figure 4).

---

### ***Status Lights***

Two status lights are above the flowmeter.

#### ***Pilot Light***

The green Pilot light is on when the sample-draw detector is receiving power.

#### ***Fail Light***

The red Fail light is on when the sample flow rate is below the low flow level.

---

**NOTE:** The factory set low flow level is 0.6 SCFH ( $\pm 0.2$ ). See "Adjusting the Low Flow Setting" on page 18 for instructions to adjust this setting.

---

### ***Pressure Switch***

The pressure switch is mounted to the opposite side of the main circuit board. The pressure switch monitors the flow rate to the sensors.

If the flow rate falls below the preset low flow level, the pressure switch causes the fail relay to interrupt the signal in the 4-20 mA line for the H<sub>2</sub>S channel. This causes a downscale reading at the monitor on this channel. The low flow level is factory-set at 0.6 SCFH ( $\pm 0.2$  SCFH).

---

**NOTE:** There is no low flow indication for the LEL channel.

---



### ***Flow Block***

The flow block is located in the lower right corner of the sample-draw detector. All the sensors are installed in the flow block. The flow block routes the sampled air to each sensor.

### ***EXHAUST Fitting***

The EXHAUST fitting on the bottom of the housing allows the gas sample to exit the sample-draw detector. The EXHAUST fitting accepts 1/4 in. rigid tubing. See “Installation” on page 9 for instructions to connect tubing to the EXHAUST fitting.

## **Detection System**

The detection system consists of the gas sensors, LEL transmitter, preamp circuit board, and the main circuit board.

### ***Combustible Gas Sensor***

The combustible gas sensor is installed in the lower left of the flow block. The combustible gas sensor includes the sensing elements, flame arrestor, connector, and sensor leads.

#### *Sensing Elements*

Two sensing elements are protected within the sensor assembly. Through a series of thermal and electronic reactions, these elements produce an output that is proportional to the detection range of the sample draw detector. The LEL transmitter converts the output to a 4 - 20 mA signal which can be used by a recording or monitoring device.

The porous flame arrestor allows the gas sample to enter the sensor assembly and contact the sensing element. The flame arrestor also contains sparks within the sensor.

#### *Connector*

The top of the sensor includes five pins that plug into the socket connector. This connector allows you to replace the sensor without disconnecting the wiring. The sensor leads are soldered to the connector.

#### *Sensor Leads*

Four color-coded leads extend from the connector. The leads allow you to connect the combustible gas sensor to the main circuit board.

### ***Oxygen Sensor***

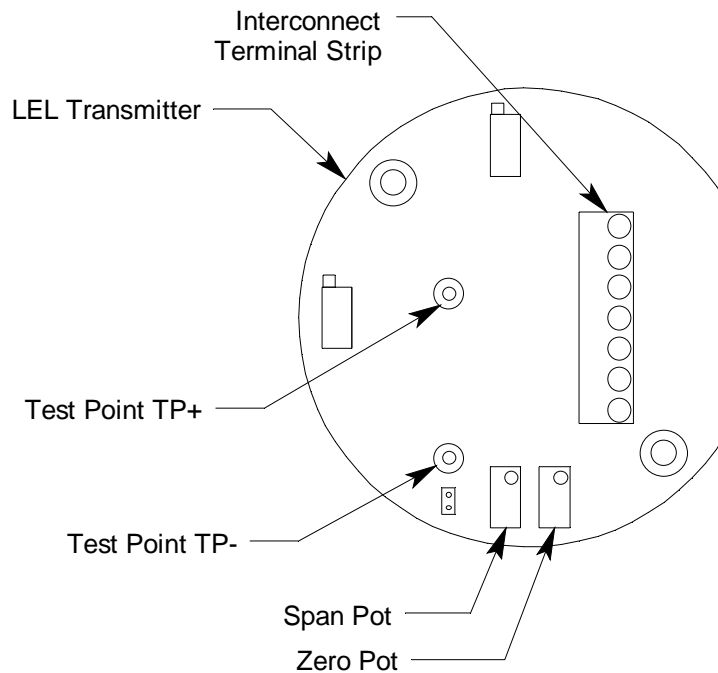
The oxygen sensor is installed in the lower right of the flow block. In the 35-3010RKA-06, the oxygen sensor position in the flow block is occupied by a dummy sensor.

### ***Carbon Monoxide Sensor***

The carbon monoxide gas sensor is installed in the upper left side of the flow block. In the 35-3010RKA-06, the carbon monoxide sensor position in the flow block is occupied by a dummy sensor.

### ***Hydrogen Sulfide Gas Sensor***

The hydrogen sulfide gas sensor position is located in the upper right side of the flow block.



**Figure 3: LEL Transmitter**

***LEL Transmitter***

The LEL transmitter is mounted above the main circuit board. It consists of the span pot, zero pot, one internally wired terminal strip, and the test points.

*Span/Zero Pots*

The span and zero pots are located at the bottom edge of the transmitter and are used for calibration. Use the span pot to make adjustments to gas response readings and the zero pot to make adjustments to the zero reading.

*Transmitter Interconnect Terminal Strip*

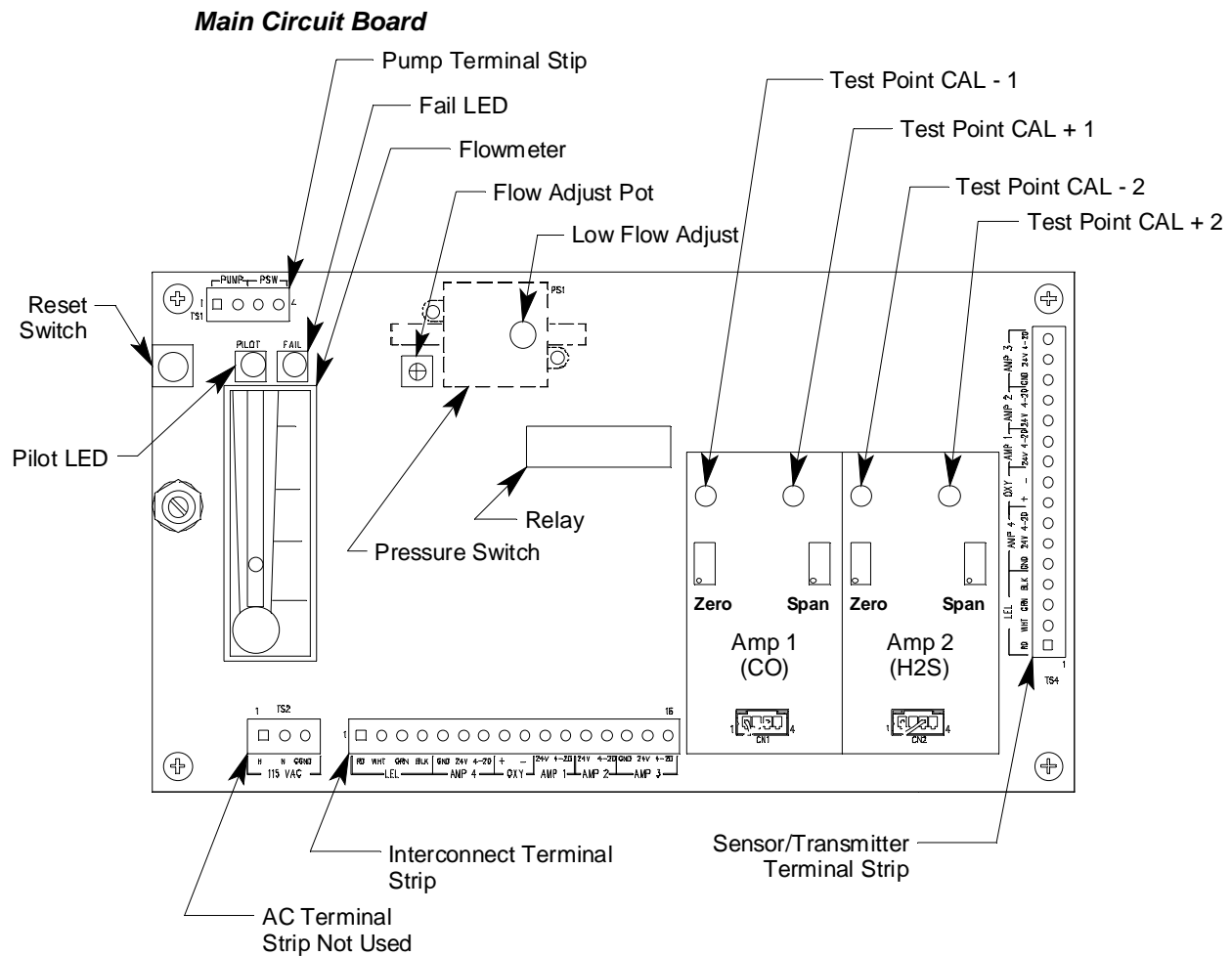
The transmitter interconnect terminal strip is the seven-point terminal strip near the right edge of the transmitter. The transmitter is factory wired to the sensor and main circuit board.

*Test Points*

The test points are located on the left side of the transmitter and are labeled **TP+** and **TP-**. A 100 mV - 500 mV output is available at these test points for use during calibration.

***Preamp Circuit Board***

The preamp circuit is used to connect the H<sub>2</sub>S sensor to the main circuit board and to secure the sensor in the flow block. Two cables mate to the main circuit board: the one on the left is for the CO sensor signal and the one on the right is for the H<sub>2</sub>S sensor signal. Since there is no CO channel, the cable on the left is not used.



**Figure 4: Main Circuit Board**

The main circuit board includes the interconnect terminal strip, sensor/transmitter terminal strip, amp 1 circuit, amp 2 circuit, pump terminal strip, relay, and reset switch.

---

**NOTE:** The flowmeter and status lights are mounted to the main circuit board but are considered part of the flow system.

---

Interconnect Terminal Strip

The interconnect terminal strip is the sixteen-point terminal strip near the bottom edge of the main circuit board. Use the interconnect terminal strip to connect the sample-draw detector to a controller.

Sensor/Transmitter Terminal Strip

The sensor/transmitter terminal strip is the sixteen-point terminal strip near the right edge of the circuit board. Use the transmitter terminal strip to connect sensors or transmitters to the main circuit board.

---

**NOTE:** The sensors and transmitters are factory wired to the sensor/transmitter terminal strip. See “Wiring the Sample-Draw Detector” on page 10 for all wiring procedures related to the sample-draw detector.

---

#### Amp 1 and Amp 2 Circuits

These circuits are located to the left of the sensor/transmitter terminal strip. They each include test points, a zero pot, and a span pot. Amp 1 is on the left and is for the CO channel. Amp 2 is on the right and is for the H<sub>2</sub>S channel. Since there is no CO channel, Amp 1 is not used.

The zero and span pots are used during calibration. Use the span pot to make adjustments to gas response readings and the zero pot to make adjustments to the zero reading.

The test points are labeled **CAL-1** and **CAL+1** for the CO channel and **CAL-2** and **CAL+2** for the H<sub>2</sub>S channel. A 100 mV - 500 mV output is available at the H<sub>2</sub>S test points for use during calibration. No output is available at the CO test points.

#### Pump Terminal Strip

The pump terminal strip is the four-point terminal in the top left corner of the circuit board. Use the pump terminal strip to connect the pump and pressure switch to the main circuit board.

---

**NOTE:** The pump and pressure switch are factory-wired to the circuit board. See “Wiring the Sample-Draw Detector” on page 10 for all wiring procedures related to the sample-draw detector.

---

#### Relay

The relay is approximately in the middle of the circuit board. The relay is a four pole, double-throw (4PDT) relay and is rated for 2 amps at 25 VDC (resistive). If the pressure switch senses a low flow condition, the relay interrupts the 4-20 mA signal from the H<sub>2</sub>S channel which will cause a downscale reading at the controller or recording device.

---

**NOTE:** There is no flow fail indication for the LEL channel on the 35-3010RKA-06 Sample Draw Detector.

---

#### Reset Switch

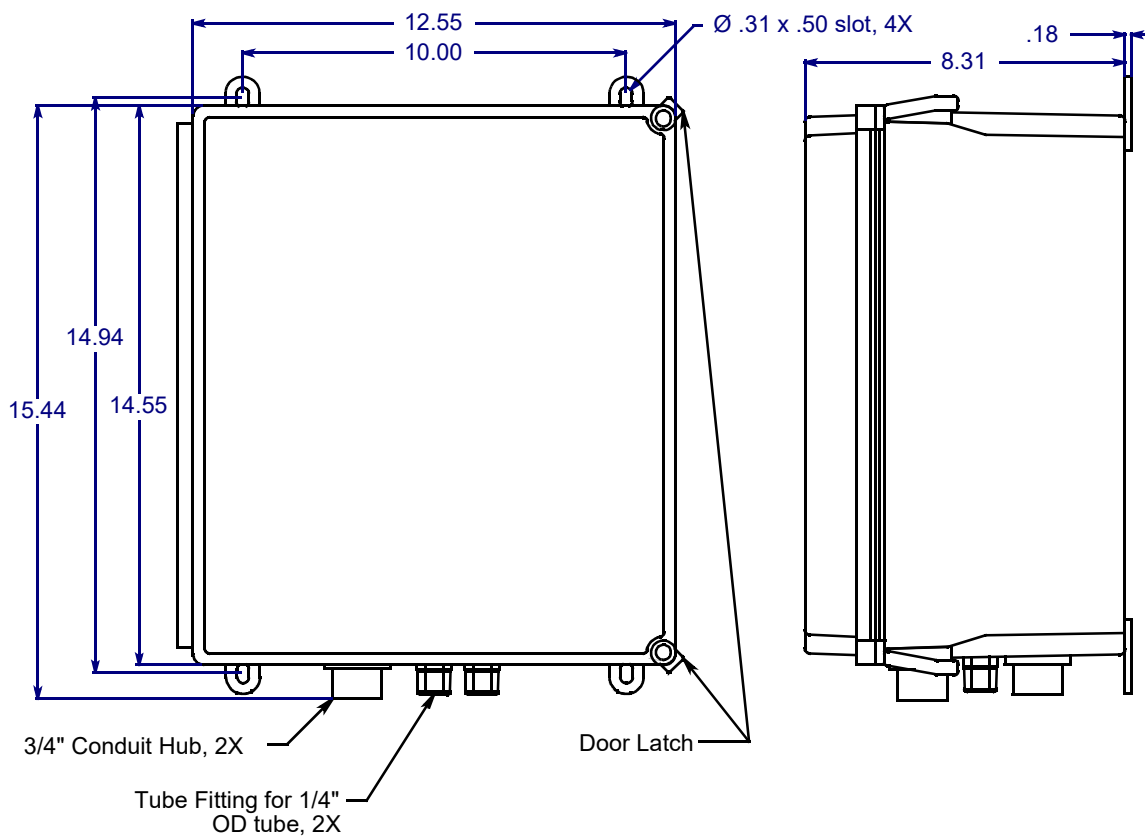
A small reset button is located in the upper left corner of the main PCB. When a low flow condition occurs, the pump will be shut off. To reset the low flow condition and start the pump again, press and hold the reset switch for about 2 seconds, then release.

## Installation

This section describes procedures to mount the sample-draw gas detector in the monitoring environment and wire the sample-draw detector to power and an external device.

### Mounting the Sample-Draw Detector

1. Select the mounting site. Consider the following when you select the mounting site.
  - Is there enough room to open the housing door and make wiring connections at the bottom of the housing and tubing connections at the right of the housing?
  - Make sure there is sufficient room to perform start-up, maintenance, and calibration procedures.



**Figure 5: Mounting the Sample-Draw Detector**

2. Close and latch the housing door.

---

**NOTE:** The sample-draw detector is shipped with the mounting feet “tucked under” the housing to protect the mounting feet during shipment.

---

3. Slightly loosen the screw that secures one of the mounting feet to the housing, then rotate the mounting foot 180 degrees.
4. Tighten the screw that secures the mounting foot to the housing.

5. Repeat steps 3 and 4 for the remaining three mounting feet.
6. Position the sample-draw housing on a vertical surface at eye level (4 1/2 to 5 feet from the floor).
7. Insert 1/4 in. or 5/16 in. screws through the slots in the mounting feet to secure the housing to the mounting surface.

### Connecting the Sample Lines to the Sample-Draw Detector

1. Attach 1/4 in. O.D. rigid polypropylene or rigid Teflon sample tubing to the INLET fitting.

---

**CAUTION:** *If you use **flexible** sample tubing (polyurethane is acceptable), use an appropriate insert to seal the connection between the tubing and the INLET fitting.*

---

2. Place the opposite end of the tubing at the sampling area.

---

**CAUTION:** *Avoid loops or slumps in the incoming sample line. To reduce response time, keep the incoming sample line as short as possible.*

---

3. Attach rigid sample tubing to the EXHAUST fitting.
4. Route the opposite end of the tubing to an open area where the sample can safely disperse.

### Wiring the Sample-Draw Detector

---

**WARNING:** *Always verify that the power source is OFF before you make wiring connections.*

---

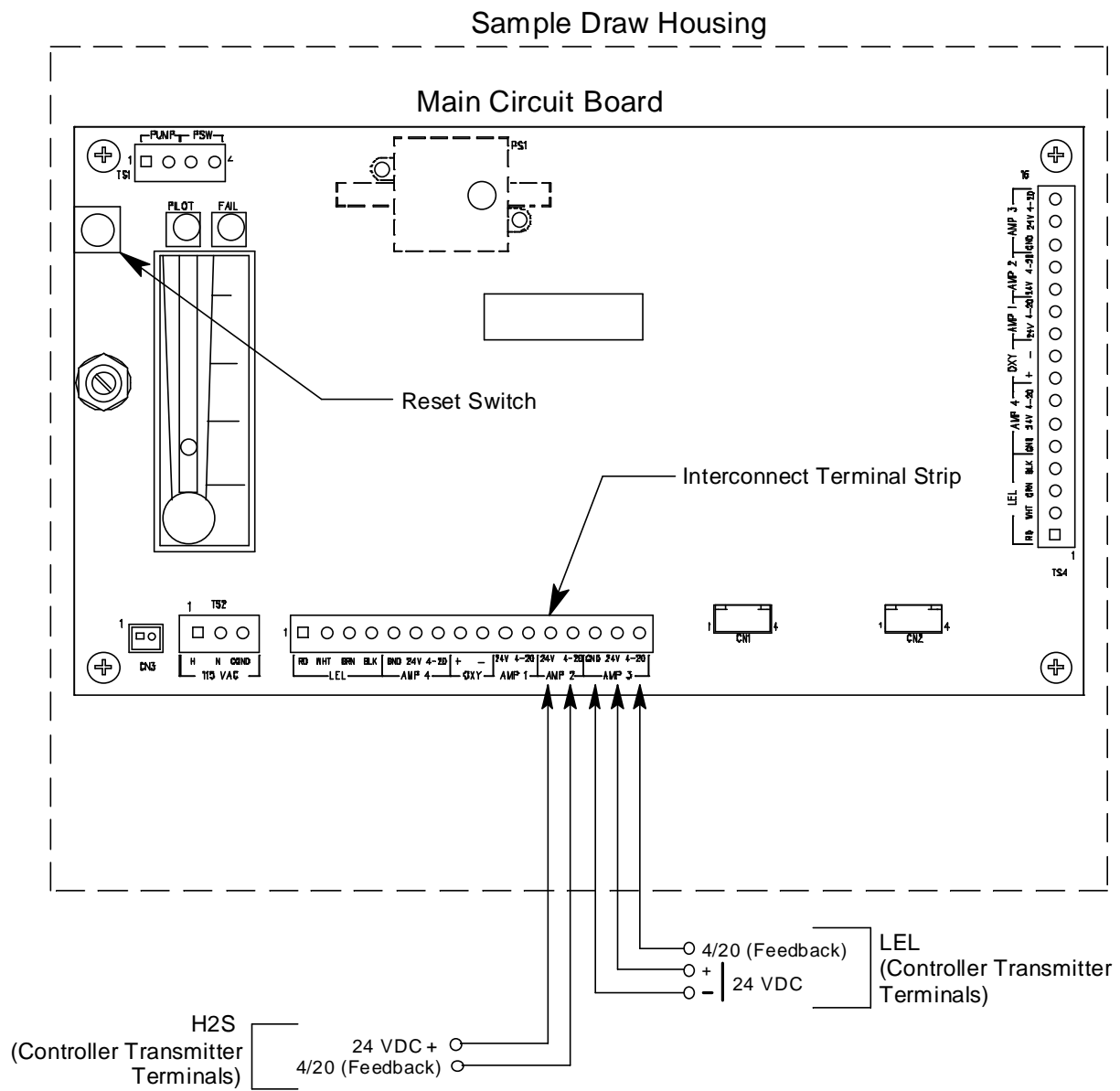
1. Turn off the controller.
2. Turn off or unplug incoming power to the controller.
3. Unlatch and open the housing door of the sample-draw detector.
4. Guide a five-conductor 18 gauge, shielded cable or five 18 gauge wires in conduit through one of the conduit hubs at the bottom of the sample-draw housing. If necessary, use both hubs to bring the wires in making sure that all the wires for a particular channel go through the same hub.
5. Connect the cable to the sample-draw detector's interconnect terminal strip as shown in Figure 6.
6. Close and latch the housing door of the sample-draw detector.

---

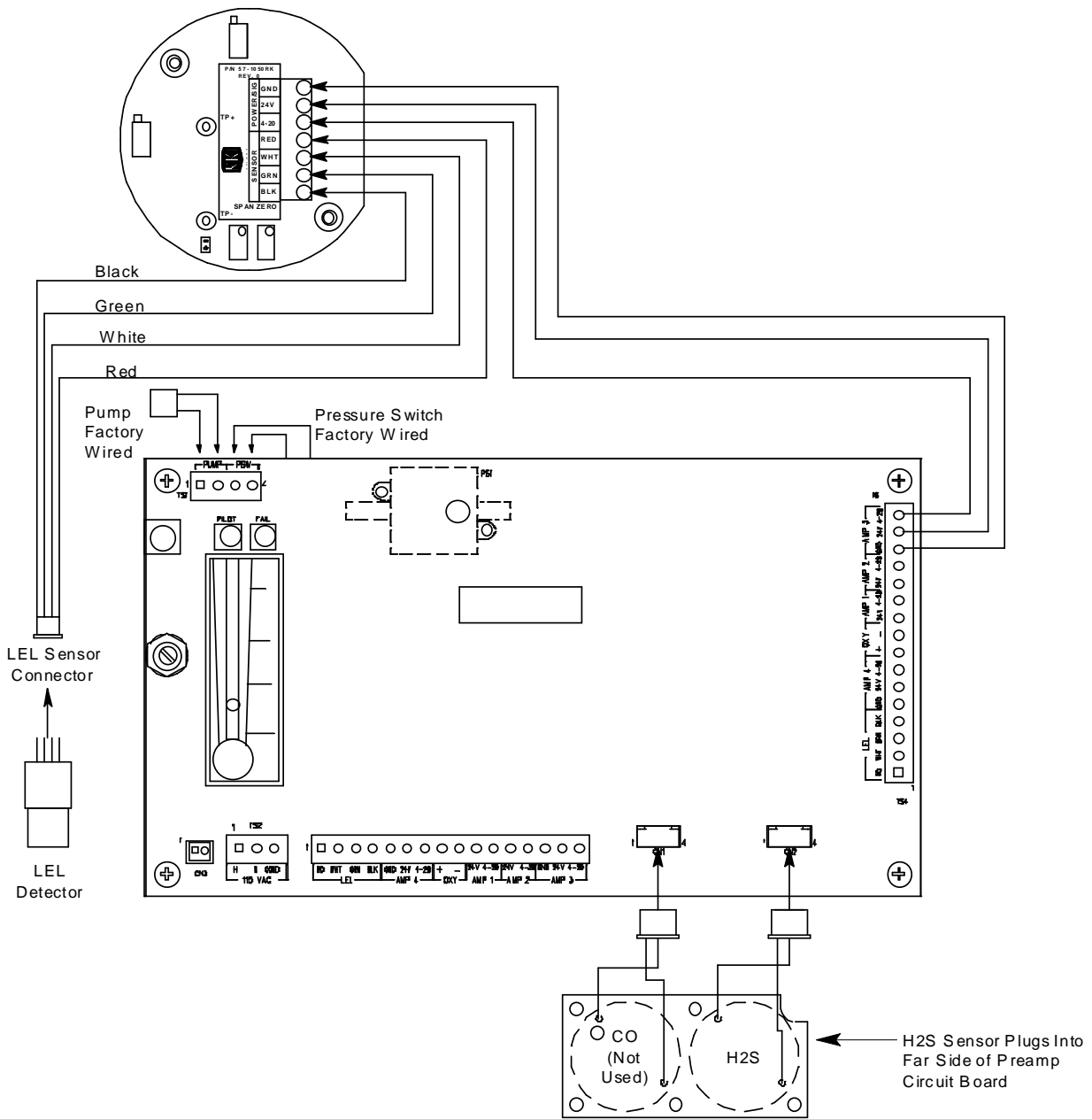
**CAUTION:** *Leave the cable shield drain wire insulated and disconnected at the sample-draw detector. You will connect the opposite end of the drain wire at the controller.*

---

7. Route the cable or wires in conduit leading from the sample-draw detector to the controller.
8. Connect the drain wire to an available chassis ground at the controller end. RKI controllers typically have a ground stud that can be used to ground the cable's drain wire.



**Figure 6: External (Field) Wiring, Sample-Draw Detector**



**Figure 7: Internal (Factory) Wiring, Sample-Draw Detector**



---

## Start Up

This section describes procedures to start up the sample-draw detector and place the sample-draw detector into normal operation.

### Introducing Incoming Power

1. Complete the installation procedures described earlier in this manual.
2. Verify that the power wiring to the controller is correct and secure. See the controller operator's manual.
3. Turn on or plug in the incoming power at the controller, then turn on the controller.
4. Verify that the controller is on and operating properly.
5. Verify that the Pilot light is on at the sample draw detector.
6. Verify that the flowmeter indicates a flow rate of approximately 1.2 SCFH. If necessary, use the bypass valve or flow adjust potentiometer to adjust the flow rate.

---

**NOTE:** The following step tests for leaks in the sample line. This test may cause a low flow condition at the sample-draw detector.

---

7. Verify that the incoming sample line is not leaking. To test the sample line, plug the open end of the sample line with your thumb. If the flowmeter ball drops to the bottom of the flowmeter, the incoming sample line is not leaking.
8. Remove your thumb from the sample line, press the pump reset switch, and verify the flowmeter returns to a normal flow rate.

### Setting the Zero Reading

---

**CAUTION:** *If you suspect the presence of combustible gas, hydrogen sulfide, or an abnormal oxygen condition (not 20.9%) in the monitoring environment, use the calibration kit and the zero air calibration cylinder to introduce "fresh air" to the sample draw adapter and verify an accurate zero setting.*

---

1. Verify that the sample-draw detector is sampling a fresh air environment (environment known to be free of combustible gas, H<sub>2</sub>S and of normal oxygen content, 20.9%).
2. Open the housing door.
3. Set a voltmeter to measure in the millivolt (mV) range.
4. Check the zero reading for each channel.

For the LEL channel, plug the voltmeter leads into the test points on the LEL transmitter. Plug the positive lead into the test point labeled TP+; plug the negative lead into the test point labeled TP-.

For the H<sub>2</sub>S channel, plug the voltmeter into the test points in the AMP 2 section of the main circuit board. Plug the positive lead into the test point labeled CAL+2; plug the negative lead into the test point labeled CAL-2.

5. Verify a voltmeter reading of 100 mV ( $\pm 2$  mV).
6. If necessary, use a small flat-blade screwdriver to adjust the zero pot until the voltmeter reading is 100 mV ( $\pm 2$  mV).
7. Close the housing door.

---

## Operation

### Normal Operation

During normal operation, the Pilot LED will be on and the flowmeter will indicate about 1.2 SCFH. The current gas readings will be indicated at the controller. See the controller's operator's manual for a description of the reading indications.

### Low Flow Alarm

If the flowrate falls below 0.6 SCFH ( $\pm 0.2$  SCFH), then the sample draw detector will initiate a low flow alarm. In a low flow alarm the Fail LED will turn on and the pump will shut off. In addition, the H<sub>2</sub>S sensor signal to the controller will be interrupted by the sample draw detector resulting in a failure indication for the H<sub>2</sub>S channel at the controller. If a low flow alarm occurs, press the pump reset switch for about 2 seconds to restart the pump, turn off the Fail LED, and resume proper sensor signal transmission to the controller. If the condition continues, find the cause of the reduced flow, correct it, and restart the pump with the pump reset switch. A flow reduction can be caused by a flow blockage, a leak in the flow system, a malfunctioning pressure switch, or a malfunctioning pump.

---

**NOTE:** There is no flow fail indication for the LEL channel on the 35-3010RKA-06.

---

---

## Maintenance

This section describes maintenance procedures. It includes preventive maintenance procedures. This section also includes procedures to troubleshoot the sample-draw detector, replace components of the sample-draw detector, and adjust the low flow setting.

### Preventive Maintenance

This section describes a preventive maintenance schedule to ensure the optimum performance of the sample-draw detector. It includes daily, monthly, and quarterly procedures.

#### *Daily*

1. Verify that the pilot light is on.
2. Verify that the flowmeter indicates a flow rate of approximately 1.2 SCFH.  
If necessary use the bypass valve or flow adjust potentiometer to adjust the flow rate to 1.2 SCFH.
3. Verify a reading of 0%LEL for the combustible channel (100 mV at the LEL transmitter test points) and 0 ppm for the H<sub>2</sub>S channel (100 mV at the amp 2 test points).  
Investigate significant changes in the reading.

## **Monthly**

This procedure describes a test to verify that the sample-draw detector responds properly to the target gases.

### Preparing for the response test

---

**CAUTION:** *This procedure may cause alarms at the controller. Take appropriate action to avoid this, such as entering the calibration mode at the controller or disabling external alarms.*

---

1. Verify that the controller is reading 0 for the combustible and H<sub>2</sub>S channels.  
If the reading is not 0 on the combustible or H<sub>2</sub>S channels, set the zero reading as described in “Start Up” on page 13, then continue this procedure.
2. Assemble the calibration kit as described in “Preparing for Calibration” on page 19. Use of a 4-gas cylinder is recommended so that all channels may be checked at once.

### Performing the response test

---

**NOTE:** This procedure describes the RKI calibration kit that includes a demand flow regulator. A calibration kit that uses a calibration bag is also available.

---

1. Screw the regulator into the calibration cylinder.
2. Connect the calibration tubing from the regulator to the inlet line at or near the INLET fitting. Gas will begin to flow.
3. After approximately one minute, verify that the reading for each channel at the controller stabilizes within  $\pm 20\%$  of the concentration of the test sample. If the reading is not within  $\pm 20\%$  of the test sample, calibrate the sample-draw detector as described in “Calibration” on page 19.
4. Remove the calibration tubing from the inlet line, then reconnect the inlet line.
5. Store the calibration kit in a safe place.

## **Quarterly**

Calibrate the sample-draw detector as described in “Calibration” on page 19.

## **Troubleshooting**

The troubleshooting guide describes symptoms, probable causes, and recommended action for problems you may encounter with the sample-draw gas detector.

---

**NOTE:** This troubleshooting guide describes sample-draw detector problems only. See the instruction manual for the controller if it exhibits any problems.

---

### **Fail Condition**

#### Symptoms

- The sample-draw detector’s Fail light is on.
- The controller is operating properly but indicates a reading well below zero on one or more channels.

#### Probable Causes

- The sample-draw detector’s flow rate is too low because of an obstructed sample line,

failed pump, etc.

- The sample-draw detector is malfunctioning.
- The sensor or transmitter wiring is disconnected or misconnected.

Recommended Action

1. At the sample-draw detector, set the correct flow rate with the bypass valve or flow adjust potentiometer.
2. If you cannot set the correct flow rate, check the sample lines for obstructions or kinks.
3. Verify that the sensor and transmitter wiring are correct and secure. “Installation” on page 9 describes detector wiring connections.
4. Calibrate the problem channel or channels as described in “Calibration” on page 19.
5. If the fail condition continues, replace the sensor from the problem channel or channels as described later in this section.
6. If the fail condition continues, contact RKI Instruments, Inc. for further instruction.

**Slow or No Response/Difficult or Unable to Calibrate**

Symptoms

- One or more of the sensors respond slowly or does not respond during the monthly response test.
- Unable to accurately set the zero or response reading on one or more of the channels during the calibration procedure.
- One or more of the sensors requires frequent calibration.

---

**NOTE:** Under “normal” circumstances, the sample-draw detector requires calibration once a quarter. Some applications may require a more frequent calibration schedule.

---

Probable Causes

- The calibration cylinder is low, out-dated, or defective.
- The sample-draw detector’s flow rate is too low because of an obstructed sample line, failed pump, etc.
- The sample-draw detector is malfunctioning.

Recommended Action

1. Verify that the calibration cylinder contains an adequate supply of a fresh test sample.
2. If necessary, set the correct flow rate with the bypass valve or flow adjust potentiometer.
3. If you cannot set the correct flow rate, check the sample line for obstructions or kinks.
4. If the calibration/response difficulties continue, replace the sensor as described later in this section.
5. If the calibration/response difficulties continue, contact RKI Instruments, Inc. for further instruction.

## Replacing Components of the Sample-Draw Detector

This section includes procedures to replace the sensors, the hydrophobic filter, and the charcoal filter.

### ***Replacing the Combustible Sensor***

1. Turn off incoming power.
2. Open the housing door of the sample-draw detector.
3. Unscrew and remove the two screws that secure the retaining plate, then lift the plate, connector, and sensor out of the housing.
4. Unplug the connector from the sensor.
5. Verify that you are using the correct replacement sensor (NC-6245 is printed on the sensor), then plug the sensor into the connector.
6. Place the sensor in the combustible gas sensor cavity, then position the retaining plate on the two standoffs.
7. Secure the retaining plate to the standoffs with the two screws you removed in step 3.
8. Turn on incoming power.
9. Calibrate the replacement sensor as described in “Calibration” on page 19.

### ***Replacing the Hydrogen Sulfide Sensor***

1. Turn off incoming power.
2. Open the housing door of the sample-draw detector.
3. Unscrew the 5 screws that retain the preamp circuit board.
4. Lift the preamp circuit board away from the flow block.  
Be careful not to pull on the cables that connect the preamp circuit to the main circuit board.  
  
There is a foam gasket in the bottom of each flow cavity beneath the circuit board. Make sure the gaskets stay in place.
5. Pull the H<sub>2</sub>S sensor off the preamp circuit board. It is located in the amp 2 position (right side) of the preamp circuit board.
6. Plug the new sensor into the preamp board.
7. Reinstall the preamp circuit board with the sensors onto the flow block.
8. Turn on incoming power.
9. Calibrate the replacement sensor as described in “Calibration” on page 19.

### ***Replacing the Hydrophobic Filter***

1. Turn off or unplug power to the controller.
2. Locate the hydrophobic filter. It is just to the left of the main circuit board.
3. Grasp the hydrophobic filter and pull it out of its metal clamp.
4. Remove the rubber seals from each end of the hydrophobic filter and remove the filter.
5. Place the new hydrophobic filter in the same orientation as the one that was removed.
6. Place the new hydrophobic filter back into the metal clamp.

## ***Replacing the Charcoal Filter***

---

**NOTE:** The charcoal filter does not normally need to be replaced in the 35-3010RKA-06 because it does not include a CO sensor.

---

1. Turn off or unplug power to the controller.
2. Locate the charcoal filter. It is located along the upper edge of the detector housing.
3. Grasp the charcoal filter and pull it out of its metal clamp.
4. Remove the rubber seals from each end of the charcoal filter and remove the filter.
5. Place the new charcoal filter in the same orientation as the one that was removed.
6. Place the new charcoal filter back into the metal clamp.

## **Adjusting the Low Flow Setting**

The factory-set low flow setting is 0.6 SCFH ( $\pm 0.2$ ). To adjust the low flow setting:

1. Use the flow adjust potentiometer (VR1) to set the flow to 0.6 SCFH.  
If the sample-draw detector goes into low flow alarm before you can adjust the flow down to 0.6 SCFH, adjust the low flow potentiometer 1/4 turn clockwise, then attempt to set the flow again. Repeat this step until you are able to adjust the flow to 0.6 SCFH.
2. Slowly turn the low flow potentiometer counterclockwise just until the sample-draw detector goes into low flow alarm.

---

**NOTE:** The low flow potentiometer is accessible through a circular cutout in the main circuit board. The cutout is labeled PS1.

---

3. Verify that the low flow alarm is 0.6 SCFH ( $\pm 0.2$ ). Repeat steps 3 and 4 if necessary.
4. Use the flow adjust potentiometer (VR1) to set the flow to 1.2 SCFH.
5. Make sure the sample-draw detector's Fail light is off.

---

## **Calibration Frequency**

Although there is no particular calibration frequency that is correct for all applications, a calibration frequency of every 3 months is adequate for most sample-draw detector applications. Unless experience in a particular application dictates otherwise, RKI Instruments, Inc. recommends a calibration frequency of every 3 months for the sample-draw detector.

If an application is not very demanding, for example detection in a clean, temperature controlled environment, and calibration adjustments are minimal at calibration, then a calibration frequency of every 6 months is adequate.

If the application is very demanding, for example if the environment is not well controlled, then more frequent calibration than every 3 months may be necessary.

---

## Calibration

This section describes how to calibrate the sample-draw adapter. It includes procedures to prepare for calibration, set the zero reading for each channel, set the response reading for each channel, and return to normal operation.

---

**NOTE:** This procedure describes calibration using a demand flow regulator, a zero air calibration cylinder, and a 4-gas calibration cylinder.

---

### Preparing for Calibration

---

**CAUTION:** *This procedure may cause alarms at the controller. Take appropriate action to avoid this, such as entering the calibration mode at the controller.*

---

1. Open the housing door.
2. Set a voltmeter to measure in the millivolt (mV) range.
3. When checking the mV output of each channel, plug the voltmeter leads into the appropriate test points.

For the LEL channel, plug the voltmeter leads into the test points on the LEL transmitter. Plug the positive lead into the test point labeled **TP+**; plug the negative lead into the test point labeled **TP-**.

For the H<sub>2</sub>S channel, plug the voltmeter into the test points in the AMP 2 section of the main circuit board. Plug the positive lead into the test point labeled **CAL+2**; plug the negative lead into the test point labeled **CAL-2**.

4. Use the following formula to determine the correct test points output for the calibrating sample.

$$\text{Output (mV)} = (\text{calibrating sample/fullscale}) \times 400 + 100$$

For example, with a calibrating sample of 50 %LEL methane and a fullscale setting of 100%LEL, the correct output for the LEL test points is 300 mV.

$$300 \text{ (mV)} = (50/100) \times 400 + 100$$

### Setting the Zero Reading

---

**NOTE:** If you can verify a fresh air environment, it is not necessary to use the zero air calibration cylinder to set the zero reading.

---

1. Screw the regulator into the zero air calibration cylinder.
2. Connect the calibration kit sample tubing to the regulator.
3. Connect the sample tubing from the regulator to the inlet line at or near the INLET fitting.
4. Allow the gas to flow for one minute.
5. Verify a voltmeter reading of 100 mV  $\pm$  2 mV at the test points for each channel as described in the Preparing for Calibration section above.
6. If necessary, use a small flat-blade screwdriver to adjust the zero pot for the appropriate channel until the voltmeter reading is 100 mV  $\pm$  2 mV.

7. Disconnect the sample tubing from the inlet line.
8. Unscrew the regulator from the zero air calibration cylinder. Leave the sample tubing connected to the regulator.

### **Setting the Response Reading**

1. Screw the regulator into the 4-gas calibration cylinder.
2. Connect the sample tubing from the regulator to the inlet line at or near the sample-draw detector's INLET fitting.
3. Allow the calibration gas to flow for one minute.
4. Check the mV output on the LEL transmitter test points and verify that the reading matches the response reading ( $\pm 2$  mV) you determined earlier.
5. If necessary, use the span pot on the LEL transmitter to adjust the reading to match the correct response reading.
6. Repeat steps 3 and 4 for the H<sub>2</sub>S channel using the appropriate test points described in the Preparing For Calibration section above and the appropriate span pot.
7. Disconnect the sample tubing from the sample-draw detector's inlet line.
8. Unscrew the regulator from the calibration cylinder.

---

**NOTE:** For convenience, leave the regulator connected to the sample tubing.

---

### **Returning to Normal Operation**

1. Remove the voltmeter leads from the test points.
2. Reconnect the incoming sample line.
3. Wait 1 to 2 minutes to allow the calibration gas to be drawn out and the readings to stabilize.
4. Close the housing door.
5. Store the components of the calibration kit in a safe and convenient place.



---

## Parts List

Table 2 lists replacement parts and accessories for the sample-draw gas detector.

**Table 2: Parts List**

<b>Part Number</b>	<b>Description</b>
06-1248RK	Sample tubing, 3/16 x 5/16, specify length, (for calibration kit)
07-0034RK	Sealing gasket, for CO and H <sub>2</sub> S flow block cavities
30-0610RK	Pump
33-0171RK	Hydrophobic filter (AcroPak)
33-6095RK	Charcoal filter, CF-188
81-0076RK-01	Zero air calibration cylinder (34 liter)
81-0154RK-04	4-gas calibration gas cylinder, 50% LEL methane/12% oxygen/50 ppm CO/25 ppm H <sub>2</sub> S, 34 liter
81-1055RK	Regulator, demand flow, for 17 and 34 liter steel cylinders
ES-1537-H <sub>2</sub> S	H <sub>2</sub> S sensor
NC-6245	Combustible sensor