

# **65-2400RK Combustible Gas Transmitter Operator's Manual**

*Part Number: 71-0060RK*

*Revision: A*

*Released: 7/16/03*

---

## Product Warranty

RKI Instruments, Inc., warrants gas alarm equipment sold by us to be free from defects in materials, workmanship, and performance for a period of one year from date of shipment from RKI Instruments, Inc. Any parts found defective within that period will be repaired or replaced, at our option, free of charge. This warranty does not apply to those items which by their nature are subject to deterioration or consumption in normal service, and which must be cleaned, repaired, or replaced on a routine basis. Examples of such items are:

- a) Absorbent cartridges
- b) Pump diaphragms and valves
- c) Fuses
- d) Batteries
- e) Filter elements

Warranty is voided by abuse including mechanical damage, alteration, rough handling, or repair procedures not in accordance with the operator's manual. This warranty indicates the full extent of our liability, and we are not responsible for removal or replacement costs, local repair costs, transportation costs, or contingent expenses incurred without our prior approval.

*THIS WARRANTY IS EXPRESSLY IN LIEU OF ANY AND ALL OTHER WARRANTIES AND REPRESENTATIONS, EXPRESSED OR IMPLIED, AND ALL OTHER OBLIGATIONS OR LIABILITIES ON THE PART OF RKI INSTRUMENTS, INC., INCLUDING BUT NOT LIMITED TO, THE WARRANTY OF MERCHANTABILITY OR FITNESS FOR A PARTICULAR PURPOSE. IN NO EVENT SHALL RKI INSTRUMENTS, INC., BE LIABLE FOR INDIRECT, INCIDENTAL, OR CONSEQUENTIAL LOSS OR DAMAGE OF ANY KIND CONNECTED WITH THE USE OF ITS PRODUCTS OR FAILURE OF ITS PRODUCTS TO FUNCTION OR OPERATE PROPERLY.*

This warranty covers instruments and parts sold to users by authorized distributors, dealers, and representatives as appointed by RKI Instruments, Inc.

We do not assume indemnification for any accident or damage caused by the operation of this gas monitor, and our warranty is limited to the replacement of parts or our complete goods.

---

## Table of Contents

<b>Overview</b> .....	<b>4</b>
<b>Specifications</b> .....	<b>4</b>
<b>Description</b> .....	<b>5</b>
Combustible Gas Detector .....	5
Amplifier .....	6
Junction Box .....	7
<b>Installation</b> .....	<b>8</b>
Mounting the Combustible Gas Transmitter .....	8
Wiring the Combustible Gas Transmitter .....	9
<b>Startup</b> .....	<b>11</b>
Introducing Incoming Power .....	11
Setting the Zero Signal .....	11
<b>Maintenance</b> .....	<b>12</b>
Preventive Maintenance .....	12
Troubleshooting .....	14
Replacing Components of the Combustible Gas Transmitter .....	15
<b>Calibration</b> .....	<b>17</b>
Preparing for Calibration .....	17
Setting the Zero Reading .....	17
Setting the Response Reading .....	18
Returning to Normal Operation .....	18
<b>Parts List</b> .....	<b>19</b>

---

## Overview

This manual describes the 65-2400RK combustible gas transmitter. This manual also describes how to install, start up, configure, maintain, and calibrate the transmitter when it is used with a gas monitoring controller. A parts list at the end of this manual lists replacement parts and accessories for the combustible gas transmitter.

---

## Specifications

Table 1 lists specifications for the combustible gas transmitter.

**Table 1: Specifications**

<b>Description</b>	<b>Specification</b>
Target Gas	Combustible gas
Area Classification	Explosionproof for Class I, Groups B, C, and D
Sampling Method	Diffusion
Signal Output	4 to 20 mA
Detection Range	0 to 100% LEL
Response Time	90% in 45 seconds

## Description

This section describes the components of the combustible gas transmitter. The transmitter is a 4 - 20 mA type detector head. It consists of the combustible gas detector, amplifier, and junction box.

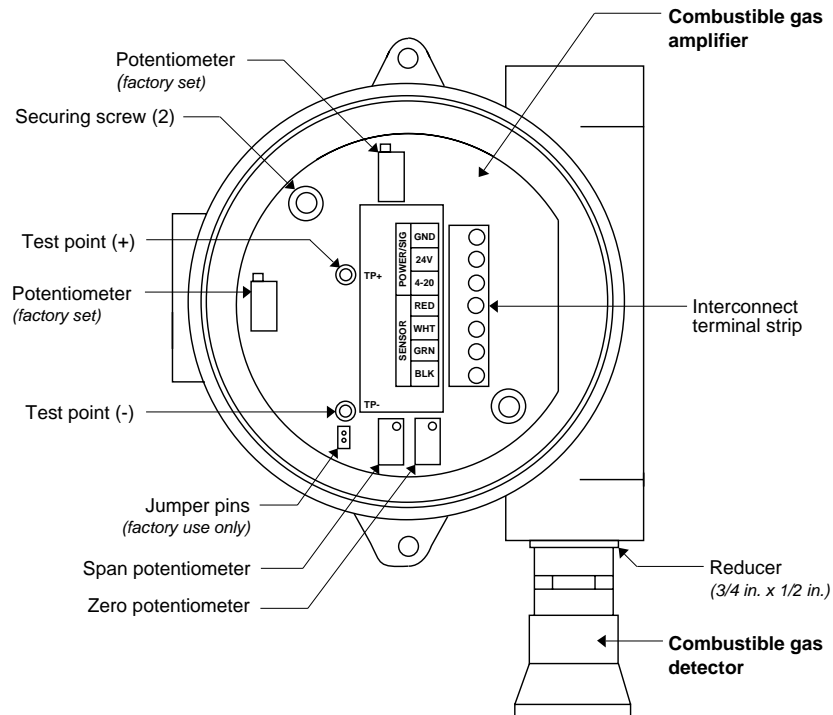


Figure 1: Combustible Gas Transmitter Component Location

### Combustible Gas Detector

The combustible gas detector includes the sensing elements, flame arrestor, detector housing, and detector leads.

#### ***Sensing elements***

Two sensing elements are protected within the detector assembly. Through a series of thermal and electronic reactions, these elements produce an electrical output that is proportional to the detection range of the transmitter.

#### ***Flame arrestor***

The porous flame arrestor allows the target gas to diffuse into the detector assembly and contact the sensing elements. The flame arrestor also contains sparks within the detector.

### ***Detector housing***

The sensing elements and flame arrestor are installed within the detector housing. Mounting threads (1/2 in. NPT) at the top of the detector allow you to mount the combustible gas detector into the bottom conduit hub of the junction box. A rainshield screws onto the bottom of the detector. The rainshield helps protect the detector from debris in the monitoring environment.

### ***Detector leads***

Four color-coded leads extend from the top of the detector. The leads allow you to connect the combustible gas detector to the amplifier.

### **Amplifier**

The amplifier converts the electrical output from the detector to a 4 to 20 mA signal that is proportional to the detection range and transmits the signal to a gas monitoring controller. The amplifier includes the interconnect terminal strip, span potentiometer, zero potentiometer, and test points (see Figure 1).

#### ***Interconnect terminal strip***

The interconnect terminal strip is a seven-point terminal strip. Use the interconnect terminal strip to connect the combustible gas detector to the amplifier and the amplifier to a controller.

---

**NOTE:** The combustible gas detector is factory-wired to the amplifier. See the Installation section of this manual for all wiring procedures related to the transmitter.

---

#### ***Span potentiometer***

The span potentiometer is near the bottom of the amplifier (see Figure 1). Use the span potentiometer to adjust the transmitter's response output during the calibration procedure.

#### ***Zero potentiometer***

The zero potentiometer is to the right of the span potentiometer (see Figure 1). Use the zero potentiometer to adjust the transmitter's target gas-free output during the start-up and calibration procedures.

---

**CAUTION:** *The amplifier includes two additional potentiometers. They are factory-set. Do not adjust them.*

---

#### ***Test points***

The test points (labeled TP+ and TP-) are to the left of the interconnect terminal strip (see Figure 1). The test points produce a 100 to 500 mV output that is proportional to the transmitter's 4 to 20 mA output. Use the test points and a voltmeter to measure the transmitter's output during the start-up and calibration procedures.

## Junction Box

Use the junction box to install the combustible gas transmitter at a mounting site that is remote from the controller. The junction box also protects the amplifier and wiring connections made to the amplifier. Use the two 3/4 in. conduit hubs to mount the detector to the junction box (bottom hub) and connect wiring from the amplifier to the controller (top hub). The detector has 1/2 in. NPT mounting threads, so a 3/4 in NPT. x 1/2 in. NPT reducer is used to mount it.

---

**NOTE:** The combustible gas detector and amplifier are factory-mounted to the junction box.

---

Use the junction box's two mounting holes to mount the combustible gas transmitter to a vertical surface at the monitoring site. Use the cover on the front of the junction box to access the interior of the junction box.

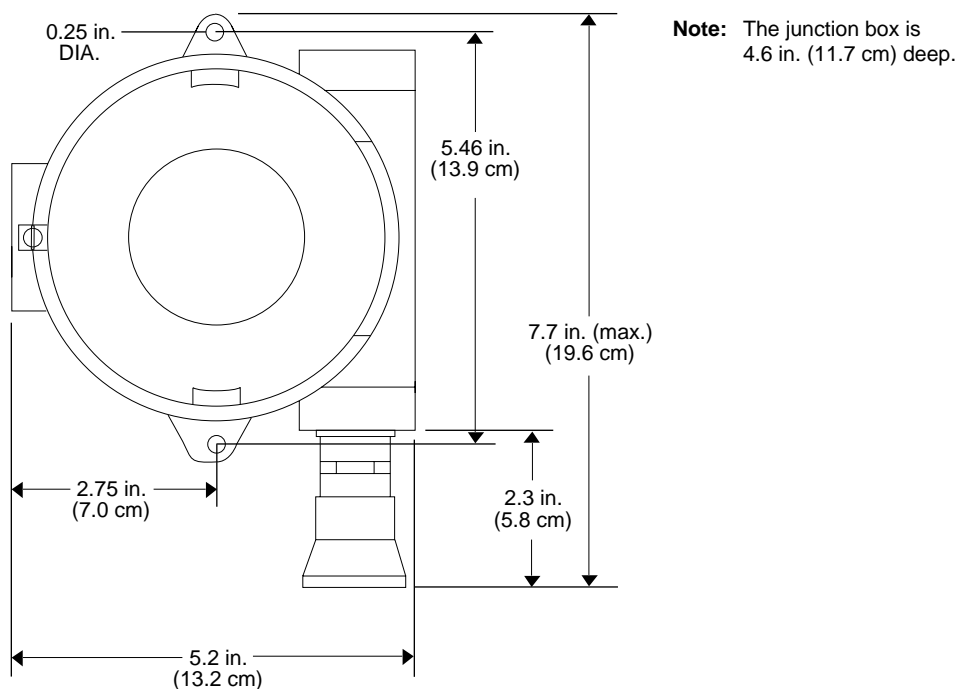
---

## Installation

This section describes procedures to mount the combustible gas transmitter in the monitoring environment and wire the transmitter to the controller.

### Mounting the Combustible Gas Transmitter

1. Select a mounting site that is representative of the monitoring environment. Consider the following when you select the mounting site.
  - Select a site where the transmitter is not likely to be bumped or disturbed. Make sure there is sufficient room to perform start-up, maintenance, and calibration procedures.
  - Select a site where the target gas is likely to be found first. For lighter gases, mount the detector near the ceiling; for heavier gases, mount the detector near the floor.



**Figure 2: Mounting the Combustible Gas Transmitter**

If the combustible gas detector is mounted to the junction box, skip to step 5. If not, continue with step 2.

2. Remove the junction box cover.
3. Guide the four wires that extend from the top of the combustible gas detector through the bottom conduit hub of the junction box.
4. Screw the combustible gas detector into the bottom conduit hub of the junction box.
5. At the monitoring site, use #10 screws through the junction box's two mounting holes to secure the junction box to a vertical surface.

---

**CAUTION:** Mount the combustible gas transmitter with the detector facing down (see Figure 2.)

---

## Wiring the Combustible Gas Transmitter to a Controller

---

**WARNING:** *Always verify that the power source is off before you make wiring connections.*

---

1. Turn off power to the controller.
2. Place the controller's power switch in the OFF position.
3. Remove the junction box cover.
4. Verify that the detector leads are wired to the amplifier's interconnect terminal strip. If necessary, connect the detector leads to the interconnect terminal strip as shown in Figure 3.
5. Guide a three-conductor, shielded cable or three wires in conduit through the top conduit hub of the junction box.
6. Connect the three wires to the interconnect terminal strip as follows (see Figure 3).
  - Connect the positive wire to the **24VDC** terminal.
  - Connect the feedback wire to the **4-20 (FB)** terminal.
  - Connect the negative wire to the **DC -** terminal.

---

**CAUTION:** *If shielded cable is used, leave the cable shield's drain wire insulated and disconnected at the transmitter. You will connect the opposite end of the cable's drain wire at the controller to chassis ground.*

---

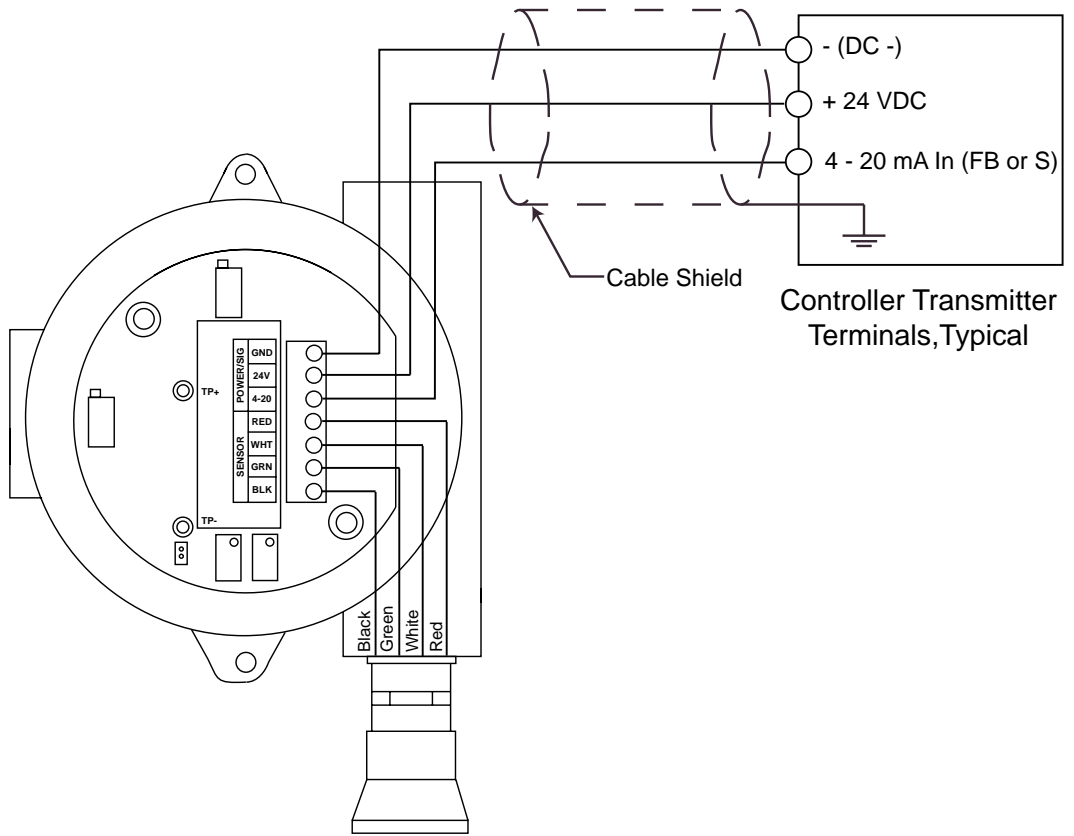
7. Secure the junction box cover to the junction box.
8. Route the cable or wires leading from the combustible gas transmitter through one of the conduit hubs at the controller housing.

---

**CAUTION:** *Do not route power and transmitter wiring through the same conduit hub. The power cable may disrupt the transmission of the transmitter signal to the controller.*

---

9. Connect the wires to the applicable transmitter terminal strip at the controller as shown in Figure 3 below.



**Figure 3: Wiring the Combustible Gas Transmitter to a Controller**

10. If shielded cable is used, connect the cable's drain wire to an available chassis ground at the controller.

---

## Start Up

This section describes procedures to start up the combustible gas transmitter and place the transmitter into normal operation.

### Introducing Incoming Power

1. Complete the installation procedures described earlier in this manual.
2. Verify that the power wiring to the controller is correct and secure. Refer to the controller instruction manual.
3. Turn on or plug in power to the controller, then place the controller's power switch in the ON position.
4. Verify that the controller is on and operating properly. Refer to the controller operator's manual.

---

**CAUTION:** *Allow the detector to warm up for 5 minutes before you continue with the next section, "Setting the Zero Signal."*

---

### Setting the Zero Signal

---

**CAUTION:** *If you suspect the presence of combustible gas in the monitoring environment, use the calibration kit and the zero air calibration cylinder to introduce "fresh air" to the detector and verify an accurate zero setting.*

---

1. Verify that the transmitter is in a fresh air environment (environment known to be free of combustible gas).
2. Unscrew and remove the junction box cover from the junction box.
3. Set a voltmeter to measure in the millivolt (mV) range.
4. Plug the voltmeter leads into the test points on the amplifier. Plug the positive lead into the test point labeled TP+; plug the negative lead into the test point labeled TP-.
5. Verify a voltmeter reading of 100 mV ( $\pm 2$  mV).
6. If necessary, use a flat-blade screwdriver to adjust the zero potentiometer until the voltmeter reading is 100 mV ( $\pm 2$  mV).
7. Secure the junction box cover to the junction box.

---

## Maintenance

This section describes maintenance procedures. It includes preventive maintenance, troubleshooting, and component replacement procedures.

### Preventive Maintenance

This section describes a preventive maintenance schedule to ensure the optimum performance of the combustible gas transmitter. It includes daily, monthly, and quarterly procedures.

#### *Daily*

Verify a display reading of 0%LEL at the controller. Investigate significant changes in the display reading.

#### *Monthly*

This procedure describes a test to verify that the combustible gas transmitter responds properly to the target gas. It describes a test using a fixed flow regulator that has no on/off knob and allows sample gas to flow as soon as it is screwed onto a cylinder. RKI Instruments, Inc. recommends using a 0.5 LPM (liters per minute) fixed flow regulator.

---

**NOTE:** To avoid wasting gas, do not leave the fixed flow regulator installed on a cylinder when it is not being used.

---

---

**NOTE:** Performing a response test on the combustible transmitter may cause alarms. Be sure to put the controller into its calibration program or disable external alarms before performing this test

---

#### *Preparing for the response test*

1. Place the controller into its calibration program or disable external alarms.
2. Verify that the controller display reading for the channel you are testing is 0 %LEL.  
If the display reading is not zero, set the zero reading of the transmitter as described in “Start Up” on page 11 of this manual, then continue this procedure.
3. Screw the calibration cup onto the bottom of the combustible detector.
4. Use the calibration kit sample tubing to connect the regulator to the calibration cup.

---

**NOTE:** Do not screw the regulator into the calibration cylinder at this time.

---

5. Set a voltmeter to measure in the millivolt (mV) range.
6. Remove the junction box cover, then plug the voltmeter leads into the test points on the amplifier.  
Plug the positive lead into the test point labeled **TP+**; plug the negative lead into the test point labeled **TP-**.

7. Use the following formula to determine the correct test points output for the test sample.

$$\text{Output (mV)} = (\text{calibrating sample/fullscale}) \times 400 + 100$$

For example, with a test sample of 50% LEL and a fullscale setting of 100% LEL, the correct output is 300 mV.

$$300 \text{ (mV)} = (50/100) \times 400 + 100$$

Performing the response test

1. Screw the regulator into the calibration cylinder. The sample gas will begin to flow.
2. Allow the gas to flow for two minutes, then verify that the reading is within  $\pm 10\%$  of the response reading you determined earlier.

---

**NOTE:** If the reading is not within  $\pm 10\%$  of the correct response reading, calibrate the transmitter as described in “Calibration” on page 17 of this manual.

---

3. Unscrew the regulator from the calibration cylinder.
4. Unscrew the calibration cup from the detector.
5. Remove the voltmeter leads from the amplifier test points.
6. Reinstall the junction box cover.
7. When the controller display reading falls below the alarm setpoints, return the controller to normal operation.

**Quarterly**

Calibrate the combustible gas transmitter as described in “Calibration” on page 17 of this manual.

## Troubleshooting

The troubleshooting guide describes symptoms, probable causes, and recommended action for problems you may encounter with the combustible gas transmitter.

**NOTE:** This troubleshooting guide describes transmitter problems only. See the controller operator's manual for problems you may encounter with the controller.

**Table 2: Troubleshooting the Combustible Gas Transmitter**

Condition	Symptom(s)	Probable Causes	Recommended Action
Fail Condition	<ul style="list-style-type: none"> <li>Controller indicates a fail condition.</li> </ul>	<ul style="list-style-type: none"> <li>The transmitter wiring is disconnected or misconnected.</li> <li>The transmitters zero reading is low enough to cause a fail condition.</li> <li>The transmitter is malfunctioning.</li> </ul>	<ol style="list-style-type: none"> <li>Verify that the transmitter wiring is correct and secure.</li> <li>Calibrate the transmitter.</li> <li>If the fail condition continues, replace the detector.</li> <li>If the fail condition continues, contact RKI for further instruction.</li> </ol>
Slow or No Response/ Difficult or Unable to Calibrate	<ul style="list-style-type: none"> <li>Transmitter responds slowly or does not respond to response test.</li> <li>Unable to accurately set the zero or response reading during calibration.</li> <li>Transmitter requires frequent calibration.</li> </ul> <p><i>Note: Under "normal" circumstances, the transmitter requires calibration once every three months. Some applications may require a more frequent calibration schedule.</i></p>	<ul style="list-style-type: none"> <li>The calibration cylinder is low, out-dated, or defective.</li> <li>The transmitter is malfunctioning.</li> </ul>	<ol style="list-style-type: none"> <li>Verify that the calibration cylinder contains an adequate supply of a fresh test sample.</li> <li>Verify that the regulator used for calibration is a 0.5 LPM regulator.</li> <li>If the calibration/response difficulties continue, replace the detector.</li> <li>If the calibration/response difficulties continue, contact RKI for further instruction.</li> </ol>

## Replacing Components of the Combustible Gas Transmitter

This section includes procedures to replace the combustible gas detector and amplifier.

### ***Replacing the combustible gas detector***

1. Turn off power to the controller.
2. Place the controller's power switch in the OFF position.
3. Remove the junction box cover.
4. Disconnect the detector leads from the interconnect terminal strip. Note the position of the color-coded leads as you remove them.
5. Unscrew the detector from the junction box.
6. Guide the detector leads of the replacement detector through the bottom conduit hub of the junction box, then screw the mounting threads of the detector into the conduit hub.
7. Connect the detector leads to the interconnect terminal strip as shown in Table 3 below and Figure 3 on page 10 of this manual.

**Table 3: Reconnecting the Combustible Gas Detector to the Amplifier**

Detector Lead	Amplifier Interconnect Terminal Strip
Red	RED
White	WHT
Green	GRN
Black	BLK

8. Turn on power to the controller.
9. Place the controller's power switch in the ON position.

---

**CAUTION:** *Allow the replacement detector to warm up for 5 minutes before you continue with the next step.*

---

10. Calibrate the replacement detector as described in "Calibration" on page 17 of this manual.

### ***Replacing the amplifier***

1. Turn off power to the controller
2. Place the controller's power switch in the OFF position.
3. Remove the junction box cover.
4. Disconnect the detector leads from the interconnect terminal strip.
5. Disconnect the wiring that connects the combustible gas transmitter to the controller from the amplifier's interconnect terminal strip.
6. Unscrew and remove the two screws that secure the amplifier to the junction box. The screws are at the top left and bottom right of the amplifier.
7. Remove the amplifier.

8. Place the new amplifier in the same position as the amplifier you removed in the previous step.
9. Use the two screws you removed in step 5 to secure the amplifier to the junction box.
10. Reconnect the wiring that connects the controller to the combustible gas transmitter at the amplifier's interconnect terminal strip as shown in Table 4 below and Figure 3 on page 10 of this manual.

**Table 4: Reconnecting the Combustible Gas Amplifier to the Controller**

Amplifier Interconnect Terminal Strip	Controller Transmitter Terminal Strip (typical)
GND	- (DC -)
4-20	4 - 20 mA (FB or S)
24V	+ 24V

11. Reconnect the detector leads to the amplifier's interconnect terminal strip as shown in Table 5 below and Figure 3 on page 10 of this manual.

**Table 5: Reconnecting the Combustible Gas Detector to the Amplifier**

Detector Lead	Amplifier Interconnect Terminal Strip
Red	RED
White	WHT
Green	GRN
Black	BLK

12. Turn on power to the controller.
13. Turn on the controller and place it into normal operation.

**CAUTION:** Allow the detector to warm up for 5 minutes before you continue with the next step.

14. Calibrate the combustible gas transmitter as described in "Calibration" on page 17 of this manual.

---

## Calibration

This section describes how to calibrate the combustible gas transmitter. It includes procedures to prepare for calibration, set the zero reading, set the response reading, and return to normal operation.

### Preparing for Calibration

1. Screw the calibration cup onto the bottom of the combustible gas detector.
2. Use the sample tubing that comes with the calibration kit to connect the regulator to the calibration cup.

---

**NOTE:** Do not screw the regulator into the zero air calibration cylinder at this time. This procedure describes using a fixed flow regulator that has no on/off knob and allows sample gas to flow as soon as it is screwed onto a cylinder. RKI Instruments, Inc. recommends using a 0.5 LPM (liters per minute) fixed flow regulator. To avoid wasting gas, do not leave the fixed flow regulator installed on a cylinder when it is not being used.

---

3. Set a voltmeter to measure in the millivolt (mV) range.
4. Remove the junction box cover, then plug the voltmeter leads into the test points on the amplifier.

Plug the positive lead into the test point labeled **TP+**; plug the negative lead into the test point labeled **TP-**.

5. Use the following formula to determine the correct test points output for the calibrating sample.

$$\text{Output (mV)} = (\text{calibrating sample}/\text{fullscale}) \times 400 + 100$$

For example, with a calibrating sample of 50% LEL and a fullscale setting of 100% LEL, the correct output is 300 mV.

$$300 \text{ (mV)} = (50/100) \times 400 + 100$$

6. Place the controller into its calibration program or disable external alarms.

---

**NOTE:** Calibrating the combustible transmitter may cause alarms. Be sure to put the controller into its calibration program or disable external alarms before continuing.

---

### Setting the Zero Reading

---

**NOTE:** If you can verify that the combustible transmitter is in a fresh air environment, you do not need to apply zero air to the detector before adjusting the zero reading.

---

1. Screw the regulator into the zero air calibration cylinder. The sample will begin to flow.
2. Allow the gas to flow for two minutes and verify a reading of 100 mV ( $\pm 2$  mV). If necessary, use the zero potentiometer on the amplifier to adjust the reading to 100 mV ( $\pm 2$  mV).

3. Unscrew the regulator from the zero air calibration cylinder.

Leave the sample tubing connected to the regulator and the calibration cup.

### **Setting the Response Reading**

1. Screw the regulator into the calibration cylinder. The sample will begin to flow. (Verify that the calibrating gas is representative of the transmitter's target gas.)
2. Allow the sample gas to flow for two minutes and verify that the reading matches the response reading ( $\pm 2$  mV) you determined earlier. If necessary, use the span potentiometer on the amplifier to adjust the reading to match the correct response reading.
3. Unscrew the regulator from the calibration cylinder.

### **Returning to Normal Operation**

1. Remove the voltmeter leads from the amplifier test points.
2. Unscrew the calibration cup from the detector

---

**NOTE:** For convenience, leave the regulator and calibration cup connected by the sample tubing.

---

3. Secure the junction box cover to the junction box.
4. When the display reading falls below the alarm setpoints, return the controller to normal operation.
5. Verify that the controller display reading decreases and stabilizes at 0%LEL.
6. Store the components of the calibration kit in a safe and convenient place.

---

## Parts List

Table 6 lists replacement parts and accessories for the combustible gas transmitter.

**Table 6:Parts List**

<b>Part Number</b>	<b>Description</b>
06-1248RK	Sample tubing (3/16 in. x 5/16 in.; specify length when ordering)
18-0001RK	Reducer, 3/4 in. NPT x 1/2 in. NPT
18-0405RK-01	Junction box (without cover; pre-drilled for amplifier)
18-0406RK	Junction box cover (cover only)
57-1050RK	Amplifier (specify target gas when ordering)
61-0140RK	Combustible gas detector
65-2400RK	Combustible gas transmitter (includes detector and amplifier; specify target gas when ordering)
71-0060RK	<i>65-2400RK Combustible Gas Transmitter Operator's Manual</i> (this document)
81-0007RK-01	Calibration cylinder (50% LEL Hexane; 34-liter)
81-0012RK-01	Calibration cylinder (50% LEL Methane; 34-liter)
81-0076RK-01	Zero air calibration cylinder (34-liter)
81-1003RK	Regulator, 0.5 liter/minute; continuous flow (for 17- and 34-liter calibration cylinders)
81-1117RK	Calibration cup