

65-2424RK

Hydrogen Sulfide Transmitter

Operator's Manual

Part Number: 71-0062RK

Edition: First, Revision 0

Released: December 2001

Product Warranty

RKI Instruments, Inc., warrants gas alarm equipment sold by us to be free from defects in materials, workmanship, and performance for a period of one year from date of shipment from RKI Instruments, Inc. Any parts found defective within that period will be repaired or replaced, at our option, free of charge. This warranty does not apply to those items which by their nature are subject to deterioration or consumption in normal service, and which must be cleaned, repaired, or replaced on a routine basis. Examples of such items are:

- a) Absorbent cartridges
- b) Pump diaphragms and valves
- c) Fuses
- d) Batteries
- e) Filter elements

Warranty is voided by abuse including mechanical damage, alteration, rough handling, or repair procedures not in accordance with the operator's manual. This warranty indicates the full extent of our liability, and we are not responsible for removal or replacement costs, local repair costs, transportation costs, or contingent expenses incurred without our prior approval.

THIS WARRANTY IS EXPRESSLY IN LIEU OF ANY AND ALL OTHER WARRANTIES AND REPRESENTATIONS, EXPRESSED OR IMPLIED, AND ALL OTHER OBLIGATIONS OR LIABILITIES ON THE PART OF RKI INSTRUMENTS, INC., INCLUDING BUT NOT LIMITED TO, THE WARRANTY OF MERCHANTABILITY OR FITNESS FOR A PARTICULAR PURPOSE. IN NO EVENT SHALL RKI INSTRUMENTS, INC., BE LIABLE FOR INDIRECT, INCIDENTAL, OR CONSEQUENTIAL LOSS OR DAMAGE OF ANY KIND CONNECTED WITH THE USE OF ITS PRODUCTS OR FAILURE OF ITS PRODUCTS TO FUNCTION OR OPERATE PROPERLY.

This warranty covers instruments and parts sold to users by authorized distributors, dealers, and representatives as appointed by RKI Instruments, Inc.

We do not assume indemnification for any accident or damage caused by the operation of this gas monitor, and our warranty is limited to the replacement of parts or our complete goods.

Table of Contents

Overview	4
Specifications	4
Description	5
H ₂ S Sensor	5
Sealing Spacer	5
Amplifier PCB	5
Enclosure	6
Installation	7
Mounting the H ₂ S Transmitter	7
Wiring the H ₂ S Transmitter to a Controller	8
Startup	9
Introducing Incoming Power	9
Setting the Zero Signal	9
Maintenance	10
Preventive Maintenance	10
Troubleshooting	11
Replacing Components of the H ₂ S Transmitter	12
Calibration	14
Preparing for Calibration	14
Setting the Zero Reading	14
Setting the Response Reading	15
Returning to Normal Operation	15
Parts List	16

Overview

This manual describes the 65-2424RK hydrogen sulfide (H₂S) transmitter. This manual also describes how to install, start up, maintain, and calibrate the transmitter. A parts list at the end of this manual lists replacement parts and accessories for the H₂S transmitter.

Specifications

Table 1 lists specifications for the H₂S transmitter.

Table 1: Specifications

Target Gas	Hydrogen sulfide (H ₂ S)
Sampling Method	Diffusion
Input Voltage	10 VDC - 30 VDC
Signal Output	4 - 20 mA
Detection Range	0 to 100 PPM (parts per million)
Response Time	90% in 30 seconds

Description

This section describes the components of the H₂S transmitter. The transmitter consists of the H₂S sensor, sealing spacer, amplifier printed circuit board (PCB), and enclosure.

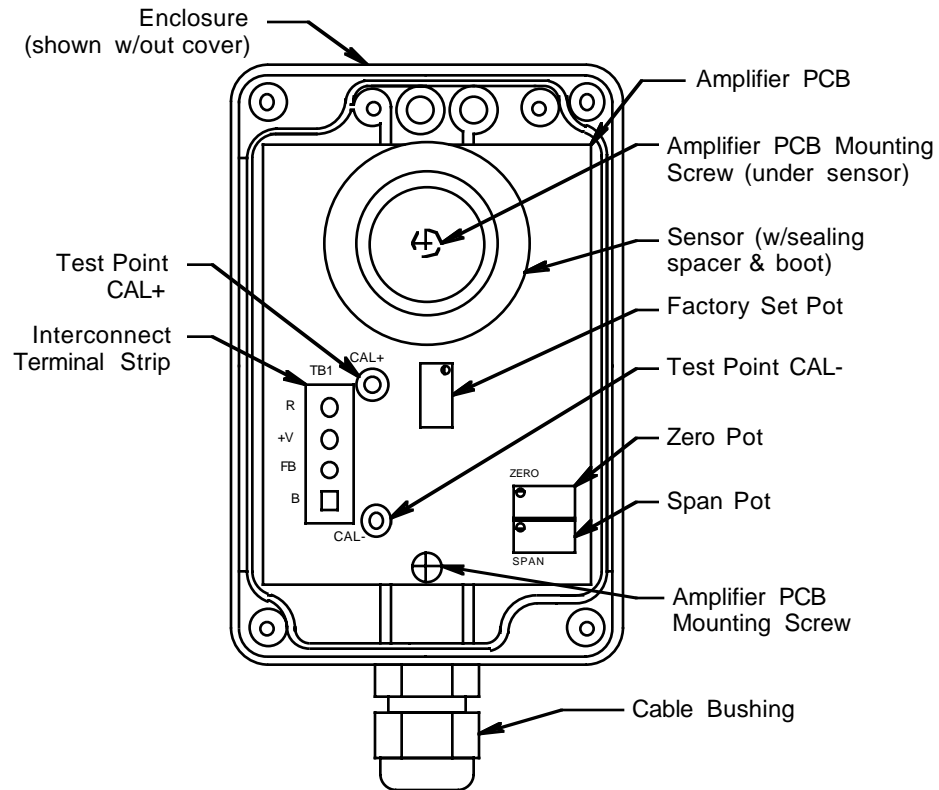


Figure 1: H₂S Transmitter Component Location

H₂S Sensor

The sensor is cylindrical with the sensing face on the top and the connection pins on the bottom. The sensor plugs into the amplifier PCB with the four pins. The sensor is exposed to the ambient air through an opening in the enclosure cover. Through a series of chemical and electrical reactions, the sensor produces an electrical output that is proportional to the detection range of the transmitter.

Sealing Spacer

The ring shaped plastic sealing spacer fills a gap in the rubber boot that is installed on the sensor. The rubber boot is used to seal the sensor to the enclosure cover in both the CO and H₂S transmitters. In the CO transmitter the rubber boot also retains a charcoal filter. Since a charcoal filter is not used in the H₂S transmitter, the sealing spacer fills the space that would be filled by the charcoal filter's body.

Amplifier PCB

The amplifier PCB converts the electrical output from the sensor to a 4 to 20 mA signal (that is proportional to the detection range) and transmits the signal to a gas monitoring controller. The amplifier PCB includes the interconnect terminal strip, sensor sockets, span potentiometer, zero potentiometer, and test points (see Figure 1.)

Interconnect terminal strip

The interconnect terminal strip is the four-point terminal strip on the lower left side of the amplifier PCB. Use the interconnect terminal strip to connect the transmitter to a controller.

Sensor Sockets

There are four sensor sockets located in a circular pattern near the top of the amplifier PCB. The sensor plugs into these sockets.

Span potentiometer

The span potentiometer is near the bottom right corner of the amplifier PCB. Use the span potentiometer to adjust the transmitter's response output during the calibration procedure.

Zero potentiometer

The zero potentiometer is above the span potentiometer. Use the zero potentiometer to adjust the transmitter's target gas-free output during the start-up and calibration procedures.

CAUTION: *There is a third potentiometer on the PCB, the null potentiometer. It is factory-set. Do not adjust it.*

Test points

The test points (labeled **CAL+** and **CAL-**) are on the right of the interconnect terminal strip. The test points produce a 100 - 500 mV output that is proportional to the transmitter's 4 - 20 mA output. Use the test points and a voltmeter to measure the transmitter's output during the start-up and calibration procedures.

Enclosure

The enclosure enables you to install the H₂S transmitter at a mounting site that is remote from the controller. The enclosure also protects the amplifier PCB and wiring connections made to the transmitter. Use the cable bushing on the bottom of the enclosure to connect wiring from the amplifier PCB to a controller.

Use the enclosure's two mounting holes, accessible with the cover removed, to mount the H₂S transmitter to a vertical surface at the monitoring site. Use the cover on the front of the enclosure to access the interior of the enclosure.

Installation

This section describes procedures to mount the H₂S transmitter in the monitoring environment and wire the transmitter to a gas monitoring controller.

Mounting the H₂S Transmitter

1. Select a mounting site that is representative of the monitoring environment. Consider the following when you select the mounting site.
 - Select a site where the transmitter is not likely to be bumped or disturbed. Make sure there is sufficient room to perform start-up, maintenance, and calibration procedures.
 - Select a site where the target gas is likely to be found first.

NOTE: If your application does not require a specific mounting site, mount the transmitter at approximately breathing level.

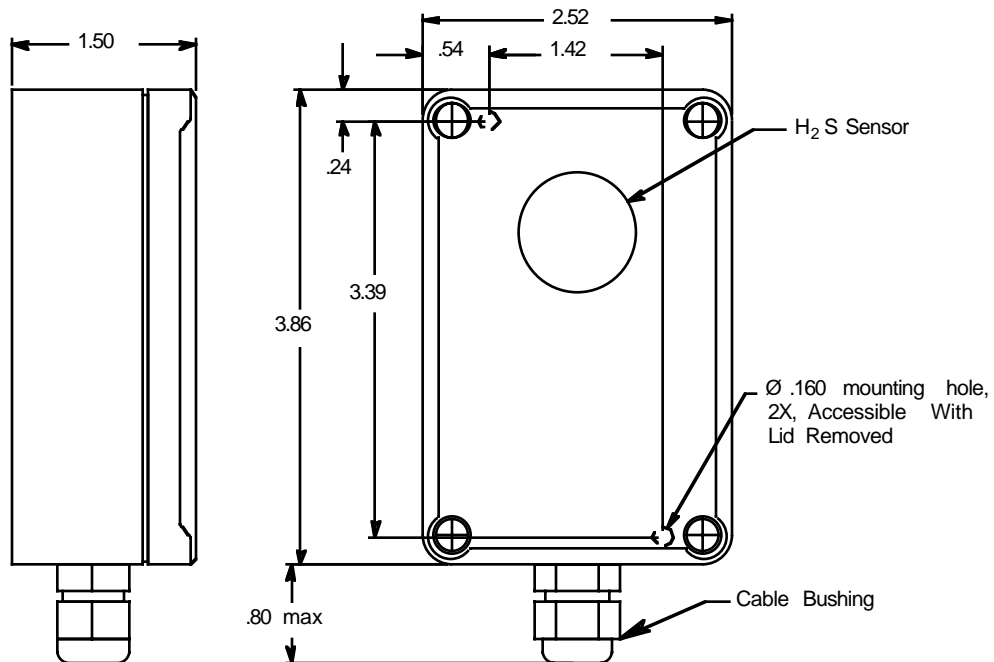


Figure 2: Mounting the H₂S Transmitter

2. Remove the enclosure's cover by unscrewing the four cover screws, one at each corner.
3. At the monitoring site, use #6 screws through the enclosure's two mounting holes to secure it to a vertical surface.
4. Secure the cover to the enclosure with the four cover screws.

Wiring the H₂S Transmitter to a Controller

WARNING: Always verify that the power source is off before you make wiring connections.

1. Turn off the controller.
2. Turn off or unplug incoming power at the power source end.
3. Remove the enclosure's cover by unscrewing the four cover screws, one at each corner.
4. Guide a two-conductor, shielded cable through the cable bushing at the bottom of the enclosure.
5. Connect the two wires to the interconnect terminal strip as follows (see Figure 3.)
 - Connect the positive wire to the terminal labeled **+V**.
 - Connect the feedback wire to the terminal labeled **FB**.

CAUTION: Leave the shield drain wire insulated and disconnected at the transmitter. You will connect the opposite end of the cable's drain wire at the controller.

6. Secure the cover to the enclosure.
7. Route the cable leading from the H₂S transmitter through one of the conduit hubs at the controller housing.

CAUTION: Do not route controller power and transmitter wiring through the same conduit hub. The power cable may disrupt the transmission of the transmitter signal to the controller.

8. Connect the wires to the applicable controller transmitter terminal strip as shown in Figure 3 below.

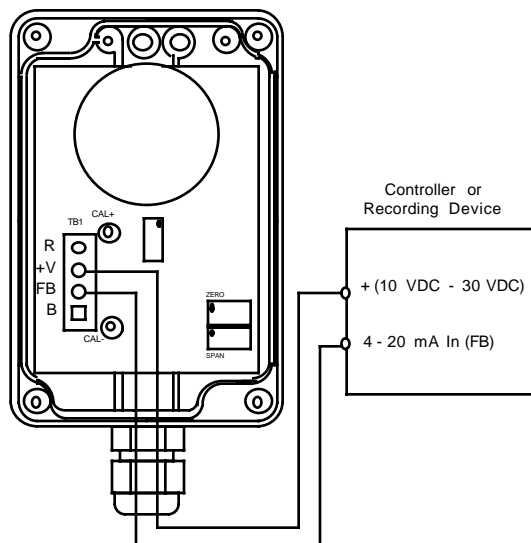


Figure 3: Wiring the H₂S Transmitter to a Controller

9. Connect the cable's drain to an available chassis ground at the controller.

Start Up

This section describes procedures to start up the H₂S transmitter and place the transmitter into normal operation.

Introducing Incoming Power

1. Complete the installation procedures described earlier in this manual.
2. Verify that the power wiring to the controller is correct and secure. Refer to the controller instruction manual.
3. Turn on or plug in the incoming power at the power source end, then turn on the controller.
4. Verify that the controller is on and operating properly. Refer to the controller instruction manual.

CAUTION: *Allow the transmitter to warm up for 5 minutes before you continue with the next section, "Setting the Zero Signal."*

Setting the Zero Signal

CAUTION: *If you suspect the presence of the target gas in the monitoring environment, use the calibration kit and the zero air calibration cylinder to introduce "fresh air" to the sensor and verify an accurate zero setting.*

1. Verify that the transmitter is in a fresh air environment (environment known to be free of hydrogen sulfide, other toxic and combustible gases and of normal oxygen content, 20.9%).
2. Remove the enclosure's cover by unscrewing the four cover screws, one at each corner.
3. Set a voltmeter to measure in the millivolt (mV) range.
4. Plug the voltmeter leads into the test points on the amplifier PCB. Plug the positive lead into the test point labeled CAL+; plug the negative lead into the test point labeled CAL-.
5. Verify a voltmeter reading of 100 mV (± 2 mV).
6. If necessary, use a flat-blade screwdriver to adjust the zero potentiometer until the voltmeter reading is 100 mV (± 2 mV).
7. Secure the cover to the enclosure.

Maintenance

This section describes maintenance procedures. It includes preventive maintenance, troubleshooting, and component replacement procedures.

Preventive Maintenance

This section describes a preventive maintenance schedule to ensure the optimum performance of the H₂S transmitter. It includes daily, monthly, and quarterly procedures.

Daily

1. Verify a display reading of 0 PPM H₂S at the controller. Investigate significant changes in the display reading.

Monthly

This procedure describes a test to verify that the H₂S transmitter responds properly to hydrogen sulfide.

NOTE: Performing a response test on the combustible transmitter may cause alarms. Be sure to put the controller into its calibration program or disable external alarms before performing this test.

Preparing for the response test

1. Place the controller into its calibration program or disable external alarms.
2. Verify that the controller display reading for the channel you are testing is 0.
If the display reading is not zero, set the zero reading of the transmitter as described in the Start Up section of this manual, then continue this procedure.
3. Assemble the calibration kit as described in the Calibration section of this manual.

NOTE: Do not screw the regulator into the calibration cylinder at this time.

4. Set a voltmeter to measure in the millivolt (mV) range.
5. Remove the enclosure cover, then plug the voltmeter leads into the test points on the amplifier PCB.
Plug the positive lead into the test point labeled **CAL+**; plug the negative lead into the test point labeled **CAL-**.
6. Use the following formula to determine the correct test points output for the test sample.

$$\text{Output (mV)} = (\text{calibrating sample/fullscale}) \times 400 + 100$$

For example, with a test sample of 25 PPM H₂S and a fullscale setting of 100 PPM, the correct output is 200 mV.

$$200 \text{ (mV)} = (25/100) \times 400 + 100$$

Performing the response test

1. Screw the regulator into the calibration cylinder. The sample will begin to flow.
2. Hold the calibration cup against the H₂S sensor's face. Leave the rubber boot and sealing spacer on the sensor when calibrating. Hold the cup on gently to allow gas to

escape and avoid pressurizing the sensor's sensing face.

3. When the reading on the voltmeter stabilizes, after approximately two minutes, verify that the reading is within $\pm 10\%$ of the response reading you determined earlier.

NOTE: If the readings are not within $\pm 10\%$ of the correct response reading, calibrate the transmitter as described in the Calibration section of this manual.

4. Remove the calibration cup from the sensor face.
5. Unscrew the regulator from the calibration cylinder, then disassemble the calibration kit as described in the Calibration section of this insert.
6. When the display reading falls below the alarm setpoints, return the controller to normal operation.

Quarterly

Calibrate the H₂S transmitter as described in the Calibration section of this insert.

Troubleshooting

The troubleshooting guide describes symptoms, probable causes, and recommended action for problems you may encounter with the H₂S transmitter.

NOTE: This troubleshooting guide describes transmitter problems only. See the controller instruction manual for problems you may encounter with the controller.

Fail condition

Symptoms

- The controller indicates a fail condition.

Probable causes

- The transmitter wiring is disconnected or misconnected.
- The transmitters zero reading is low enough to cause a fail condition.
- The transmitter is malfunctioning.

Recommended action

- Verify that the transmitter wiring is correct and secure.
- Calibrate the transmitter.
- If the fail condition continues, replace the H₂S sensor.
- If the fail condition continues, contact RKI for further instruction.

Slow or no response/difficult or unable to calibrate

Symptoms

- The transmitter responds slowly or does not respond during the monthly response test.
- Unable to accurately set the zero or response reading during the calibration procedure.
- The transmitter requires frequent calibration.

NOTE: Under “normal” circumstances, the transmitter requires calibration once every three months. Some applications may require a more frequent calibration schedule.

Probable causes

- The calibration cylinder is low, out-dated, or defective.
- The transmitter is malfunctioning.

Recommended action

1. Verify that the calibration cylinder contains an adequate supply of a fresh test sample.
2. If the calibration/response difficulties continue, replace the H₂S sensor as described later in this section.
3. If the calibration/response difficulties continue, contact RKI Instruments, Inc., for further instruction.

Replacing Components of the H₂S Transmitter

This section includes procedures to replace the H₂S sensor, amplifier PCB, and charcoal filter.

Replacing the sensor

1. Turn off the controller.
2. Turn off or unplug incoming power at the power source end.
3. Remove the enclosure’s cover by unscrewing the four cover screws, one at each corner.
4. Unplug the H₂S sensor from the amplifier PCB.
5. Remove the rubber boot and sealing spacer from the old sensor and install onto the replacement sensor.
6. Carefully plug the replacement sensor into the socket pattern on the amplifier PCB.

NOTE: Match the sensor’s male pins with the four female sockets as you plug the sensor into the sockets.

7. Secure the cover to the enclosure.
8. Turn on or plug in incoming power at the power source end.
9. Turn on the controller.

CAUTION: *Allow the replacement sensor to warm up for 5 minutes before you continue with the next step.*

10. Calibrate the replacement sensor as described in the Calibration section of this manual.

Replacing the amplifier PCB

1. Turn off the controller.
2. Turn off or unplug incoming power at the power source end.
3. Remove the enclosure’s cover by unscrewing the four cover screws, one at each corner.

4. Disconnect the wires from the interconnect terminal strip.
5. Unplug the H₂S sensor from the amplifier PCB to access one of the PCB mounting screws.
6. Unscrew and remove the two screws that secure the amplifier PCB to the enclosure. The screws are near the top and bottom of the amplifier PCB.
7. Remove the amplifier PCB.
8. Place the new amplifier PCB in the same position as the one you removed in step 6.
9. Use the two screws you removed in step 5 to secure the PCB to the enclosure.
10. Reconnect the wiring from the controller to the interconnect terminal strip as shown in Table 2 and Figure 3, Wiring the H₂S Transmitter to a Controller

Table 2: Reconnecting the H₂S Transmitter to a Controller

Amplifier PCB Interconnect Terminal Strip	Controller Transmitter Terminal Strip (typical)
FB	4 - 20 (FB)
+V	+ V (10 VDC - 30 VDC)

11. Carefully plug the H₂S sensor with rubber boot and charcoal filter into the socket pattern on the amplifier PCB

NOTE: Match the sensor's male pins with the four female sockets as you plug the sensor into the sockets.

12. Secure the cover to the enclosure.
13. Turn on or plug in incoming power at the power source end.
14. Turn on the controller.

CAUTION: Allow the sensor to warm up for 5 minutes before you continue with the next step.

15. Calibrate the H₂S transmitter as described in the Calibration section of this insert.

Calibration

This section describes how to calibrate the H₂S transmitter. It includes procedures to prepare for calibration, set the zero reading, set the response reading, and return to normal operation.

Preparing for Calibration

1. Use the calibration kit sample tubing to connect the regulator to the calibration cup.

NOTE: Do not screw the regulator into the zero air calibration cylinder at this time.

2. Set a voltmeter to measure in the millivolt (mV) range.
3. Remove the enclosure cover, then plug the voltmeter leads into the test points on the amplifier PCB.

Plug the positive lead into the test point labeled **CAL+**; plug the negative lead into the test point labeled **CAL-**.

4. Use the following formula to determine the correct test points output for the calibrating sample.

$$\text{Output (mV)} = (\text{calibrating sample/fullscale}) \times 400 + 100$$

For example, with a calibrating sample of 25 PPM H₂S and a fullscale setting of 100 PPM, the correct output is 200 mV.

$$200 \text{ (mV)} = (25/100) \times 400 + 100$$

5. Place the controller into its calibration program or disable external alarms.

NOTE: Calibrating the H₂S transmitter may cause alarms. Be sure to put the controller into its calibration program or disable external alarms before continuing.

Setting the Zero Reading

1. Screw the regulator into the zero air calibration cylinder.
2. Hold the calibration cup against the H₂S sensor's face. Leave the rubber boot and sealing spacer on the sensor when calibrating. Hold the cup on gently to allow gas to escape and avoid pressurizing the sensor's sensing face.
3. When the reading on the voltmeter stabilizes, after approximately two minutes, verify a reading of 100 mV (± 2 mV). If necessary, use the zero potentiometer on the amplifier PCB to adjust the reading to 100 mV (± 2 mV).
4. Remove the calibration cup from the sensor face.
5. Unscrew the regulator from the zero air calibration cylinder.
Leave the sample tubing connected to the regulator and the calibration cup.

Setting the Response Reading

1. Screw the regulator into the calibration cylinder.
2. Hold the calibration cup against the H₂S sensor's face. Leave the rubber boot and sealing spacer on the sensor when calibrating. Hold the cup on gently to allow gas to escape and avoid pressurizing the sensor's sensing face.
3. When the reading on the voltmeter stabilizes, after approximately two minutes, verify that the reading matches the response reading ($\pm 2\text{mV}$) you determined earlier. If necessary, use the span potentiometer on the amplifier PCB to adjust the reading to match the correct response reading.
4. Remove the calibration cup from the sensor face.
5. Unscrew the regulator from the calibration cylinder.

Returning to Normal Operation

1. Remove the voltmeter leads from the amplifier test points.

NOTE: For convenience, leave the components of the calibration kit connected by the sample tubing.

2. Secure the cover to the enclosure.
3. When the display reading falls below the alarm setpoints, return the controller to normal operation.
4. Verify that the controller display reading decreases and stabilizes at 0 ppm H₂S.
5. Store the components of the calibration kit in a safe and convenient place.

Parts List

Table 6 lists replacement parts and accessories for the H₂S channel.

Table 3: Parts List

Part Number	Description
06-1248RK	Sample tubing (order by the foot)
07-0203RK	Retaining boot (for filter)
14-2101RK	Sealing spacer
57-0035RK-02	Amplifier PCB, H ₂ S
65-2424RK	H ₂ S transmitter, complete
71-0062RK	<i>H₂S Transmitter Manual</i> (this document)
81-0151RK-02	Calibration cylinder (25 PPM H ₂ S in nitrogen, 58 liter)
81-0076RK-01	Zero air calibration cylinder (34 liter)
81-1004RK	Regulator (for 15, 58, and 103 liter calibration cylinders)
81-1109RK	Calibration cup
ES-1537-H2S	H ₂ S replacement sensor